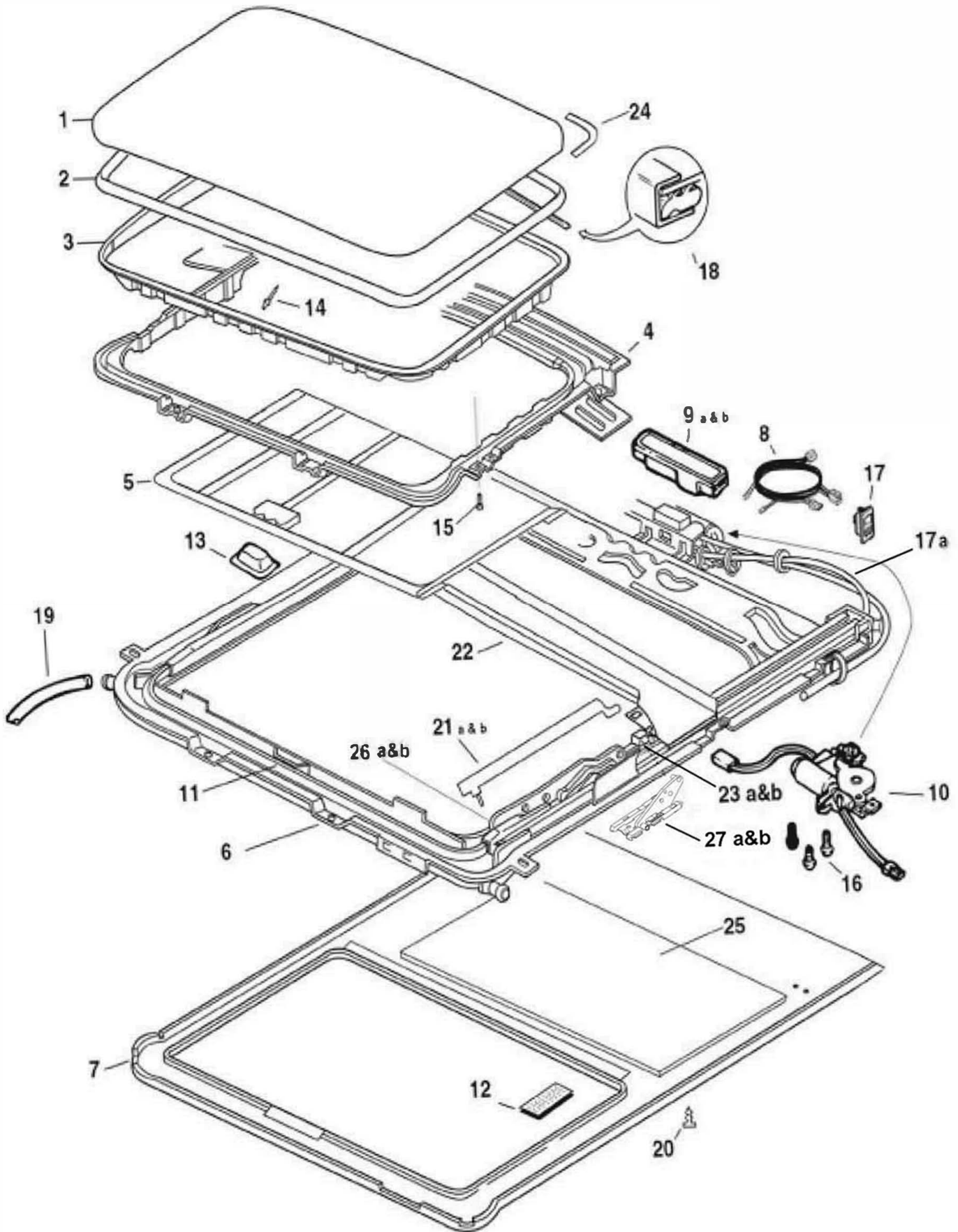




SOLAIRE 4300 / 5300

Service Parts

Webasto Solaire 4300 /5300



Solaire 4300-5300 Parts List

Pos. no.	Parts included	Part no.	Description	Price AI	Price Jobber	Price Retail
1		S1598-V-5000A-A	Glass assy.			
2		S1597-A-5006D-A	Seal glass assy.			
3		1597-W-9002A-D	Trim Ring			
4		S1597-W-9100A-B	Reinforcement inner roof			
5		S1597-W-4000A-A	Sunshade			
6		S1597-W-7000A-A	Track & rail assy.			
7		S1597-W-9050A-B	Headliner support			
8		S1597-WA-2316B-B 5010353A	Wire Harness /w switch Wire Harness /w switch (MD4 Motor Only)			
9A 9B		5010313A 5010354A	Module / motor assy (4300) Module / motor assy (5300)	New wire harness (5010353A) is required for use with MD4 motor.		
10		S1598-V-2000A-B 5010313A 5010354A	Motor assy. (While supplies last) Motor assy. 4300C /w ECU (MD4) Motor assy. 5300C /w ECU (MD4)	New wire harness (5010353A) is required for use with MD4 motor.		
11		S1598-V-6000A-C	Wind deflector assy.			
12		S1500-M-6048A-A	Set dual loc headliner support			
13		S1591-C-4008A-A	Handle cup sunshade			
14		S1500-R-3013A-A	Set rivet trim ring			
15		S1500-S-4100A-A	Set mounting bolts			
17		S1500-R-2326A-A	Switch			
17a		2913665A	Rear Drive Tube Assembly 4300/5300			
18		S1588-EK-9008B-A	Trim ring retainer			
19		S1586-S-9004A-A	Drain hoses (each)			
20		S1500-S-3010A-A	Set push pin headliner support			
21A 21B		S1598-A-1100B-G S1598-A-1101B-G	Sight shield RH Sight shield LH			
22		S1597-A-1000A-F	Trough assy.			
23A 23B		S1598-A-1000A-B S1598-A-1001A-B	Guide Trough RH Guide Trough LH			
24		S0000-A-1012A-A	Shim tape glass assy (10 pk.)			
26A 26B		S1597-WA-3000A-K S1597-WA-3001A-K	Lifter assy. RH Lifter assy. LH			
27A 27B		1W98-A-3300B-E 1W98-A-3301B-E	Trolley Lift - Link RH Trolley Lift - Link LH			
		S1597-W-9012A-A	Template			
		S1597-W-9016A	Sweep gauge			

Solaire 4300-5300 Parts List

Pos. no.	Parts included	Part no.	Description	Price AI	Price Jobber	Price Retail
		S1598-Z-8016A-A	Set adapter drain tube			
		S1598-W-9102A-A	Mounting bracket switch			
		5300 B.D.	Bubble wind deflector - OBSOLETE			
N/A		S1500-P-0215A-A	Hardware parts kit			
N/A		S1597-W-9010A-A	Lifter assembly tool			
N/A		5010211A	Kit - rear insert 2010 Camaro - OBSOLETE			
N/A		5010075	Kit - bending tool - OBSOLETE			
N/A		SRA0000015	Clamping fixture - trim ring			
N/A		5010189	Kit - installation - SolAire 4300/5300 - OBSOLETE Kit contents = track bending tool Kit contents = template Kit contents = sweep Gauge Kit contents = fixture clamp - trim ring			