



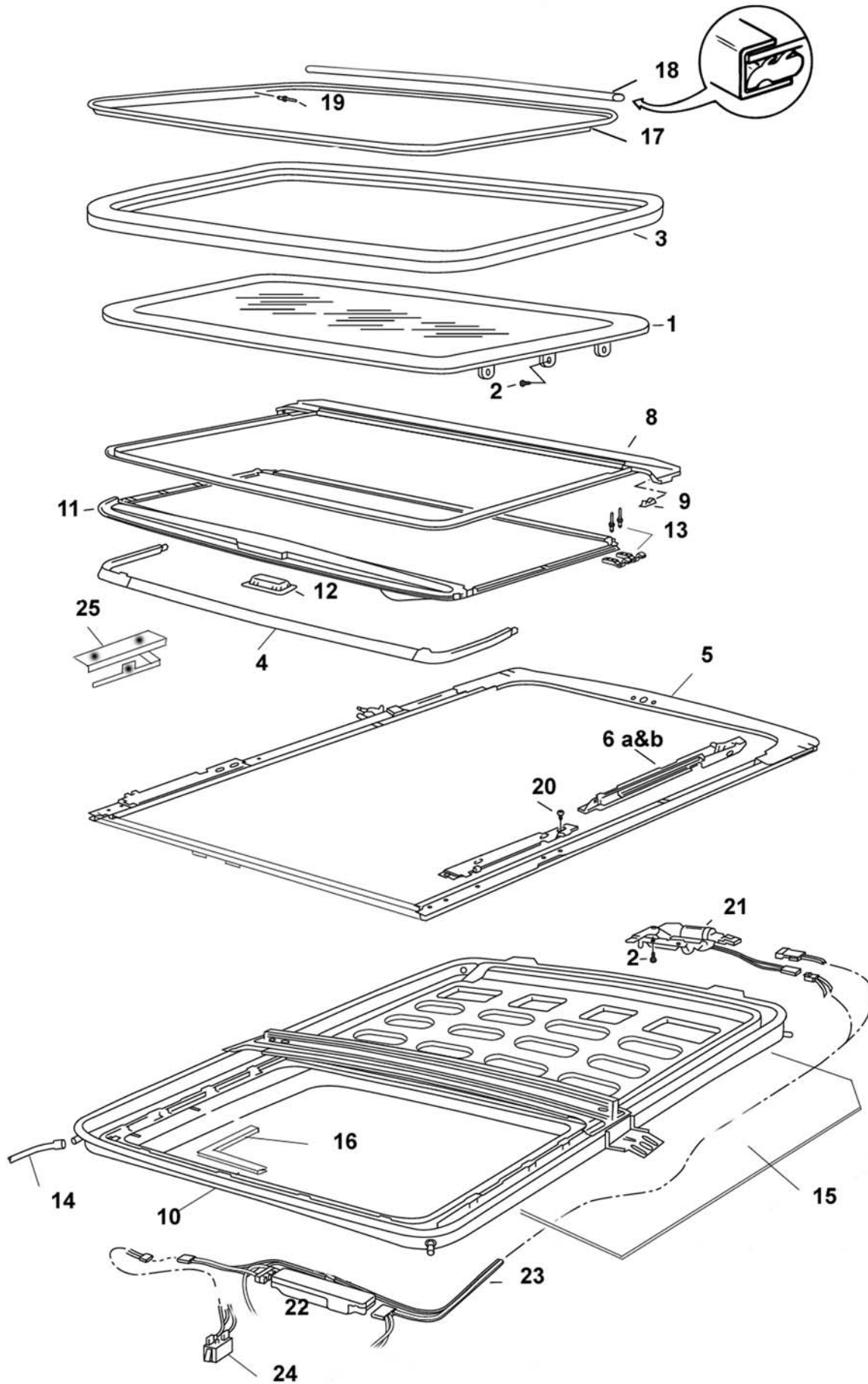
*Feel the drive*

# **STARLITE VI**

**Service Parts**

---

# WEBASTO STARLITE VI



# Starlite VI Parts List

| Pos. no. | Parts included | Part no.         | Description                            | Price AI | Price Jobber | Price Retail |
|----------|----------------|------------------|--|----------|--------------|--------------|
| 1        |                | S1593-W-5000B-E  | Glass assy.                            |          |              |              |
| 2        |                | S1500-S-7002A-A  | Set screw & washer glass assy.         |          |              |              |
| 3        |                | S1590-E-5010C-A  | Seal glass assy.                       |          |              |              |
| 4        |                | S1289-W-6000A-E  | Wind deflector assy.                   |          |              |              |
| 5        |                | S1289-W-7000A-AD | Track & rail assy.                     |          |              |              |
| 6a       |                | S1289-W-3001A-A  | Lifter assy. LH                        |          |              |              |
| 6b       |                | S1289-W-3000A-A  | Lifter assy. RH                        |          |              |              |
|          |                | S0000-G-8033A-A  | Cable assy. LH/RH                      |          |              |              |
| 8        |                | S1590-W-1000A-A  | Shield & trough assy.                  |          |              |              |
| 11       |                | S1590-W-4000A    | Sunshade assy.                         |          |              |              |
| 12       |                | S1289-W-4008F-D  | Handle cup sunshade                    |          |              |              |
| 13       |                | S0000-P-0359A-A  | Set guides sunshade                    |          |              |              |
| 14       |                | S1586-S-9004A-A  | Drain hoses (each)                     |          |              |              |
| 16       |                | S1500-X-1002A-A  | Trim welt interior                     |          |              |              |
| 17       |                | S1590-W-9002B-C  | Trim ring (black)                      |          |              |              |
| 18       |                | S1588-EK-9008B-A | Trim ring retainer                     |          |              |              |
| 19       |                | S1500-R-3013A-A  | Set rivet trim ring                    |          |              |              |
| 20       |                | S0000-S-6011A-A  | Set track screw (16pc)                 |          |              |              |
| 21       |                | S1592-R-2000A-D  | Motor assy.                            |          |              |              |
| 22       |                | S1593-R-2400B-A  | Module electronic                      |          |              |              |
| N/A      |                | S1597-R-2317A-A  | Adapter Harness Kit                    |          |              |              |
| 23       |                | S1592-R-2316B-D  | Wire harness with switch               |          |              |              |
| 24       |                | S1500-R-2326A-A  | Switch                                 |          |              |              |
| 25       |                | S1289-W-6100A-B  | Bracket & bushing assy. wind deflector |          |              |              |
| N/A      |                | S1592-R-2314A-A  | Switch with adapter                    |          |              |              |
| N/A      |                | S1597-L-2202A    | Backlite switch                        |          |              |              |
| N/A      |                | S0000-G-8160A    | Switch two button                      |          |              |              |
| N/A      |                | S1590-W-9012A    | Template                               |          |              |              |
| N/A      |                | S0000-P-0214C-A  | Hardware Parts Kit                     |          |              |              |