

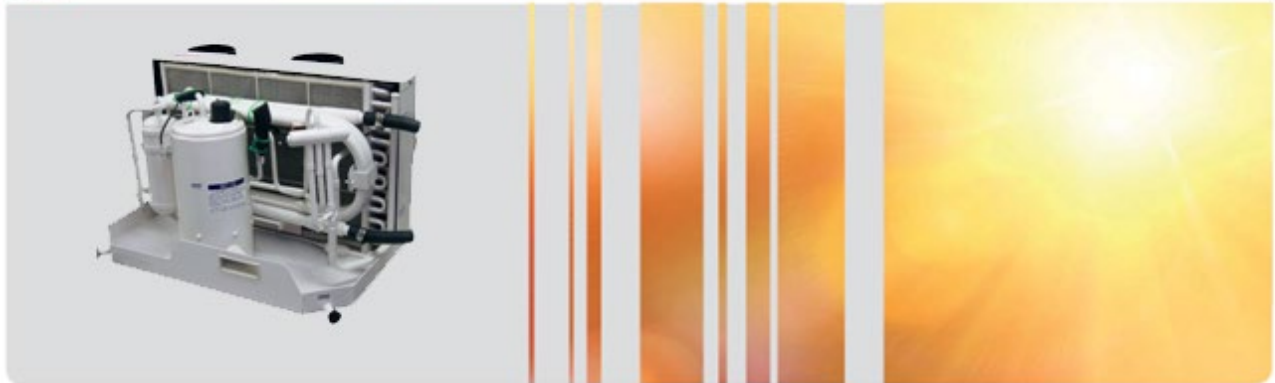
Spare Part List

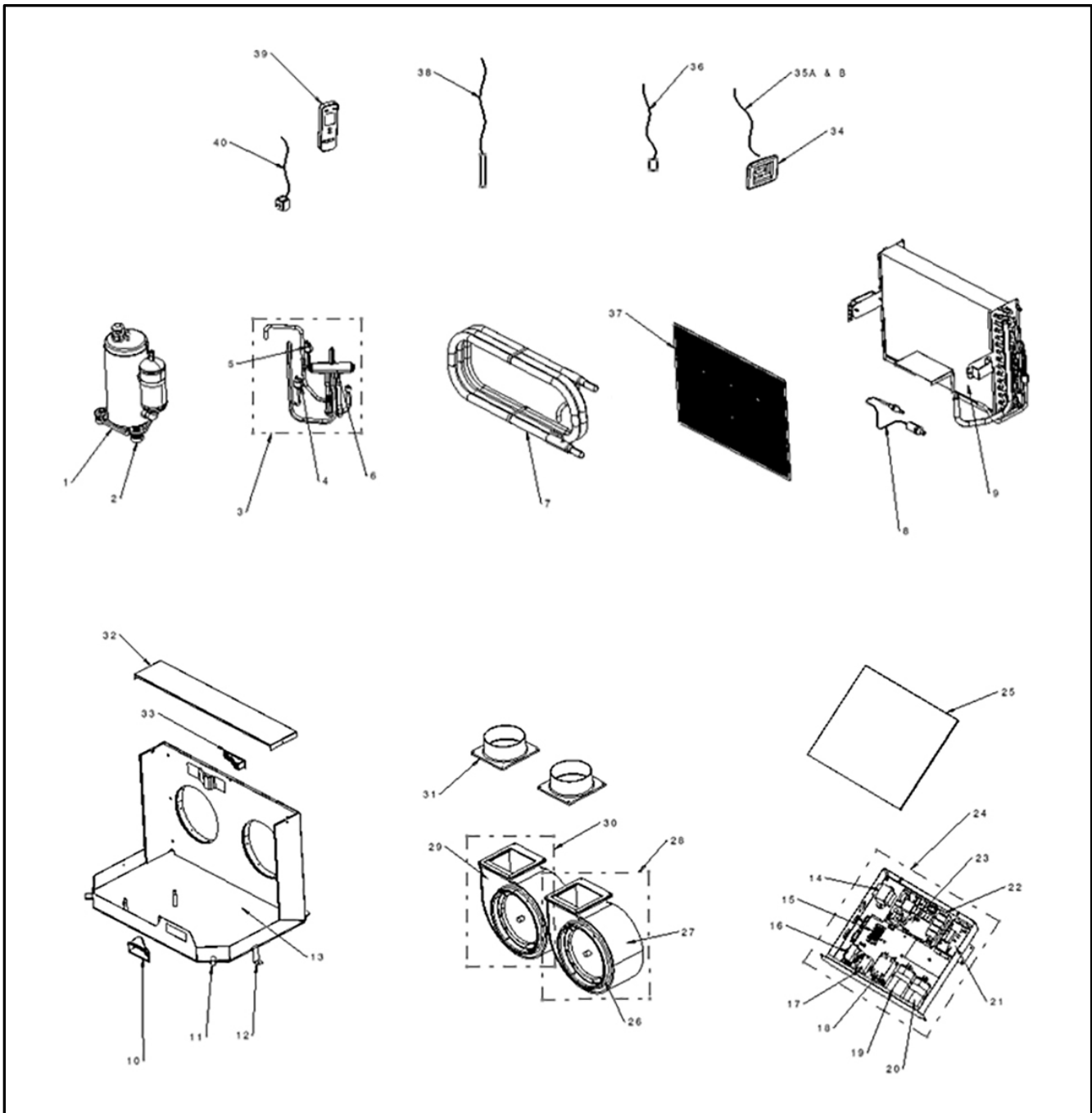
Marine

FCF Classic Series - 115V (60Hz) | 230V (50/60Hz)

24,000 BTU

R410





Position	FCF 24k Spare Parts			R410A 115V (60 Hz)	R410A 230V (50/60 Hz)
	Gree Part #	Webasto Part #	Description	FCF0024000 GS 24k 115V	FCF0024023G 24k 230V
1	00203923	5012596A	Compressor FCF 24k 115V R410A	X	
	00203924P	5012062A	Compressor FCF 24k 230V R410A		X
2	76812805	5012174A	Mounting Gasket Compressor FCF 24k 115V	X	
	76711065	5012187A	Mounting Gasket Compressor FCF 24k 230V		X
3	04143920	5012597A	Reverse Valve Assembly FCF 24k 115V R410A	X	
	04143923	5012063A	Reverse Valve Assembly FCF 24k 230V R410A		X
4	46020007	5012056A	Low Pressure Switch FCF R410A	X	X
5	46020006	5012055A	High Pressure Switch FCF R410A	X	X
6	430004032	5012595	Reverse Valve FCF 24k	X	X
7	00903907P	5012064A	Condenser Coil FCF 24k R410A	X	X
8	04103937	5012598A	Capillary Assembly FCF 24k 115VR410A	X	
	04103944	5012065A	Capillary Assembly FCF 24k 230V R410A		X
9	01023930	5012066A	Evaporator Assembly FCF 24k R410A	X	X
10	26235401	5012189A	Handle Big for Base Frame FCF 24k	X	X
11	04363901	5012329A	Condensate Drain Pipe FCF	X	X
12	01729602	FCFSP0058A	Clamp Hold Down FCF	X	X
13	01284027	5012313A	Base Frame Assembly FCF 24k	X	X
14	43110008	5012173A	Transformer FCF 115V	X	
	43110239	5012192A	Transformer FCF 230V		X
15	42011043	FCFSP0088A	Terminal Board FCF	X	
	42010254	FCFSP0059A	Terminal Board FCF		X
16	44010264	5012309A	AC Contactor for Pump FCF 115V	X	
17	33010069	FCFSP0006A	Capacitor 15uF-300V Blower Start FCF	X	
	33010010	FCFSP0063A	Capacitor 3.5uF-450V Blower Start FCF		X
18	44018009	5012606A	AC Contactor for Soft Start FCF 115V	X	
19	3300007901	FCFSP0084A	Capacitor 15/70uF 440V Blower/Compressor FCF	X	
	33000012	FCFSP0019A	Capacitor 45uF Compressor FCF		X
20	33010603	FCFSP0083A	Capacitor 98uF 440V Soft Start FCF	X	
21	44010286	5012601A	Soft Start FCF 24k 115V	X	
22	46010060	5012190A	5 Amp 250V Fuse FCF	X	
	46010014	FCFSP0089A	3.15 Amp 250V Fuse FCF		X

23	30225313	FCFSP0064A	Main Circuit Board FCF 115V	X	
	30225314	FCFSP0071A	Main Circuit Board FCF 230V		X
24	01393985	5012602A	Electrical Box Assembly FCF 24k 115V	X	
	01394037	5012604A	Electrical Box Assembly FCF 24k 230V		X
25	01423964P	FCFSP0078A	Electrical Box Cover FCF 24k 115V	X	
	01423934P	FCFSP0091A	Electrical Box Cover FCF 24k 230V		X
26	01523902P	5012328A	Diversion Ring FCF 24k	X	X
27	150094068	5012607A	Blower Left Side FCF 24k 115V	X	
	150094065	5012305A	Blower Left Side FCF 24k 230V		X
28	15403945	5012599A	Blower Assembly Left Side FCF 24k 115V	X	
	15403950	5012185A	Blower Assembly Left Side FCF 24k 230V		X
29	150094061	5012608A	Blower Right Side FCF 24k 115V	X	
	150094067	5012320A	Blower Right Side FCF 24k 230V		X
30	15403949	5012600A	Blower Assembly Right Side FCF 24k 115V	X	
	15403943	5012184A	Blower Assembly Right Side FCF 24k 230V		X
31	06329402	FCFSP0017A	Duct Ring 5" FCF	X	X
32	01263972	5012327A	Evaporator Cover FCF 24k	X	X
33	26233100	5012186A	Handle Small for Base Frame FCF 24k	X	X
34	30295002 K28377	FCFSP00010 A	Digital Display FCF	X	X
35	400300412	FCFSP0098A	Display Cable 8 meters Long FCF	X	X
36	3900020720	FCFSP0003A	Evaporator Temp Sensor FCF	X	X
37	11723905	FCFSP0081A	Air Filter FCF 24k	X	X
38	3900020721	FCFSP0002A	Ambient Temp Sensor FCF	X	X
39	30515028 K28377	FCFSP0013A	Remote Control FCF	X	X
40	4300040027	FCFSP0001A	Solenoid Reversing Valve FCF 115V	X	
	430004005	FCFSP0060A	Solenoid Reversing Valve FCF 230V		X