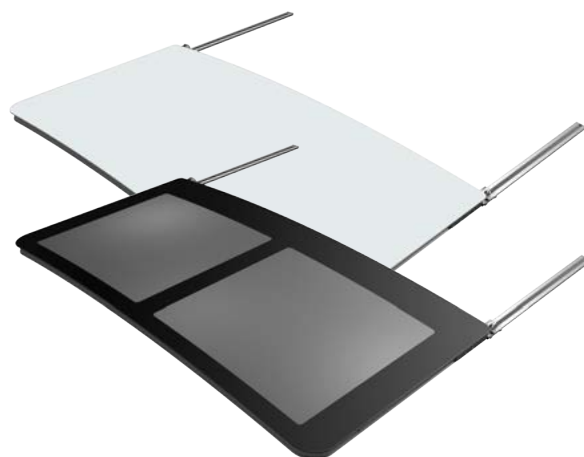


Marine Roofs 80-100 Series



Operating Instructions

Marine Roof

Bedienungsanweisung

Marinedach

Bedieningshandleiding

Marine schuifdak

Notice d'utilisation

Toit ouvrant Marine

EN

DE

NL

FR



WARNING: Cancer and Reproductive Harm
www.P65Warnings.ca.gov

Table of Contents

1	About this Document	EN-1	4.1	Opening the Roof	EN-2
1.1	Purpose of the Document	EN-1	4.2	Closing the Roof	EN-2
1.2	Using the Document	EN-1	5	Maintenance	EN-3
1.3	Use of Symbols and Highlighting	EN-1	6	Troubleshooting	EN-3
1.4	Warranty	EN-1	7	Closing Roof Manually	EN-4
2	Safety	EN-2	8	Reset Procedure	EN-4
2.1	Intended use	EN-2	9	Registration	EN-4
2.2	Safety Information	EN-2			
3	Overview of Roof	EN-2			
4	Operation	EN-2			

1 About this Document

1.1 Purpose of the Document

These operating instructions are part of the product and provide the user with information on the safe operation of the unit.

1.2 Using the Document

- ▶ Before operating the roof, carefully read these operating instructions.
- ▶ Keep these operating instructions in the vessel.
- ▶ Hand these operating instructions on to the following owner or user of the unit.

1.3 Use of Symbols and Highlighting



WARNING

Type and source of danger

Result: non-observance can lead to severe or mortal injuries.

- ▶ Actions to protect yourself against risks.



CAUTION

Type and source of danger

Result: non-observance leads to minor injuries.

- ▶ Actions to protect yourself against risks.



ATTENTION

Type and source of danger

Result: non-observance leads to property damage.

- ▶ Actions to protect yourself against risks.



Note on a special technical feature

Highlight	Explanation
✓	Requirements for the following necessary action
▶	Necessary action

1.4 Warranty

Webasto guarantees the quality and correct operation of this marine roof. The limited warranty covers both parts and labour and is valid for 3 years after date of first delivery of the boat.

Warranty starts at the invoice date of the vessel to the first end customer, or maximum 12 months after Webasto invoice date.

The warranty applies only when the sliding roof has been installed by a Webasto authorised shipyard or installer and in accordance with Webasto installation instructions.

Defects and malfunctions caused by incorrect handling, misuse, lack of reasonable and necessary maintenance, accident and broken panels are not covered by this warranty.

The warranty is only valid when proof of purchase can be provided.

2 Safety

2.1 Intended use

The marine roofs are meant to provide more light and fresh air on board.

2.2 Safety Information



WARNING

Entrapment by closing the roof

Injuries or suffocation.

- ▶ When closing the roof, ensure to keep all body parts and/or obstructions away from the marine roof opening.



CAUTION

Using the roof as escape hatch

Risk of injury and/or damage of components of the roof.

- ▶ Do not use the roof as an escape hatch.



ATTENTION

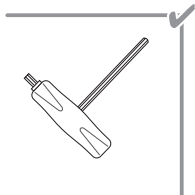
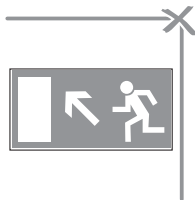
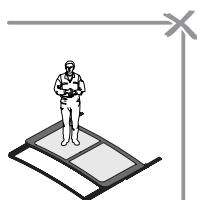
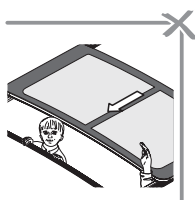
Standing or walking on the roof

Damage of components of the roof.

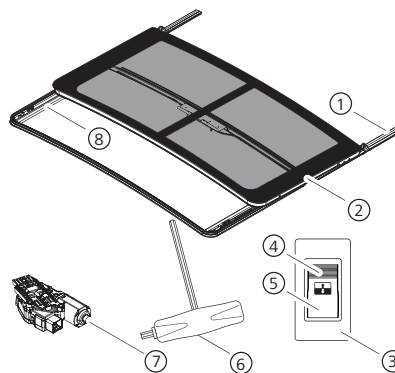
- ▶ Do not stand or walk on the roof.



Keep the emergency key in close proximity of the roof for manual operation.



3 Overview of Roof



- | | |
|----------------|-----------------|
| 1 Rails | 5 Open button |
| 2 Panel | 6 Emergency key |
| 3 Switch | 7 Motor |
| 4 Close button | 8 Guides |

4 Operation

Within the range of *closed position* and *open position*, the panel can be positioned randomly.

4.1 Opening the Roof



ATTENTION

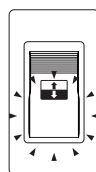
Opening the roof with water on top

Water intrusion into the cabin.

- ▶ Clear any standing water from the panel prior to operation.

The roof opens as long as the button is pressed.

- ✓ Main power supply is switched on.

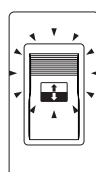


- ▶ Push and hold the open button to open the roof.
- ▶ Release the button when the roof has reached the desired position.

4.2 Closing the Roof

The roof closes as long as the button is pressed.

- ✓ Main power supply is switched on.



- ▶ Push and hold the close button to close the roof.
- ▶ Release the button when the roof has reached the desired position.

5 Maintenance



ATTENTION

Cleaning agents can contain harmful components

Damage to product.

- ▶ Never use solvents such as:
 - Methylated spirits
 - Turpentine
 - White spirit
 - Window cleaning products
 - Alkaline products containing sodium solutions
 - Acid products like muriatic or those containing phosphor

- ▶ Clean the roof regularly.
- ▶ Wash the panel with clean water and a soft cloth, chamois leather or sponge.



ATTENTION

Dry materials causing scratches

Scratches or damage on the roof.

- ▶ Never rub the dry surface of the roof.
- ▶ Never use steel wool, abrasives or sandpaper.

- ▶ Wash the remainder of the roof with lukewarm water with a professional marine cleaning product.
- ▶ Rinse with clean water.
- ▶ Apply a thin layer of grease (Isoflex® Topas L32) to the inside of the rails and guides to ensure smooth sliding.

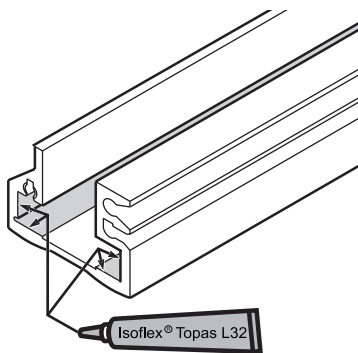


Fig. 01: Greasing guides

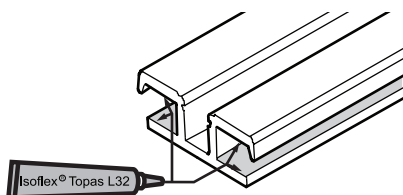


Fig. 02: Greasing rails

6 Troubleshooting

Symptom	Possible causes	Solution
Poor opening of the roof	Pollution of rubber seal.	▶ Clean seal with mild detergent
Poor sliding of the roof	Lack of grease on the rails and guides	▶ Clean and apply grease to inside of rails and guides
Roof does not slide smoothly after cleaning and greasing		▶ Contact supplier
Roof does not open / close	No Power	▶ Check battery
	Broken fuse	▶ Replace fuse
Roof does not close	Motor does not operate properly	▶ Close roof manually as described in chapter 7 ▶ Contact supplier

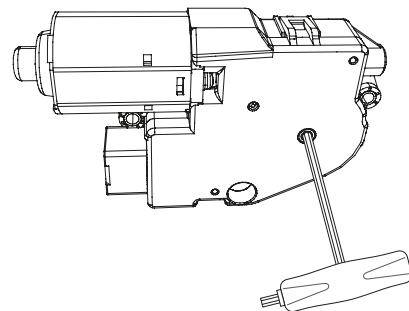


Fig. 03: Emergency key in position for turning driving shaft



CAUTION

Uncontrolled rotation of emergency keys around its own axis causing damage

Risk of injury and/or damage of components.

- ▶ Do not operate roof electrically with the switch during manual operation using emergency key(s).



ATTENTION

Motor does not respond as expected

Improper functioning of roof.

- ▶ Reset control system after operating roof manually.
- ▶ Read chapter "Reset procedure".

7 Closing Roof Manually

If the drive shafts of the motors cannot be turned with the emergency keys use the following instruction to close the roof.

- ▶ Disconnect wiring harnesses from motors.

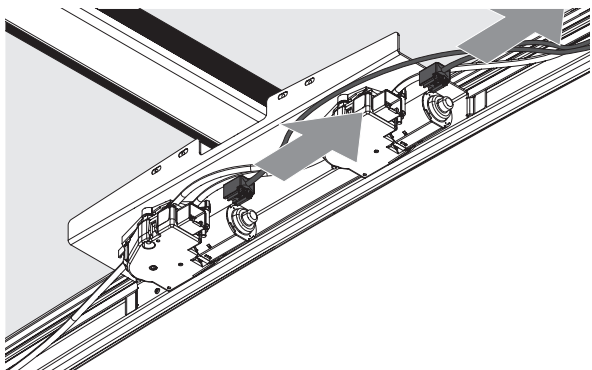


Fig. 04: Disconnect wiring harnesses

- ▶ Remove 3 hex bolts at each motor.
- ▶ Remove motors.

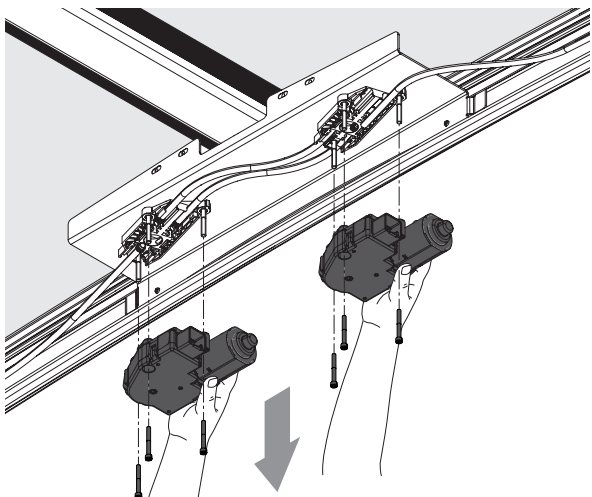


Fig. 05: Remove motors

- ▶ Close roof manually by pushing the glass panel towards the close position at the front.

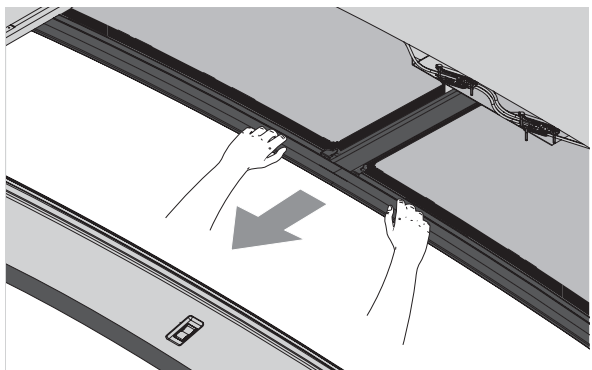


Fig. 06: Closing the roof



WARNING

Entrapment by closing the roof

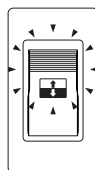
Injuries or suffocation.

The glass panel will sink by itself using its own weight in the top frame.

- ▶ When closing the roof, ensure to keep all body parts and/or obstructions away from the marine roof opening.

8 Reset Procedure

- ✓ There is a minimum of 40 A available.



- ▶ Press and hold close button.

The roof closes as far as possible.

- ▶ Release close button.

- ▶ Press and hold close button.

After approx. 10 seconds roof slides with small steps until it is completely closed.

Motor produces a loud click sound.

- ▶ Release close button.

The system has been reset.

9 Registration

The product can be registered by visiting www.techwebasto.com or by scanning the code.

A proof of purchase is required for all products that are not registered.





Notes:

A series of horizontal dotted lines for taking notes, spanning most of the page width.

Notes:

A series of horizontal dotted lines for taking notes, starting below the 'Notes:' label and extending across the page.

In multilingual versions the English language is binding.

The telephone number of each country can be found in the Webasto service center leaflet or the website of the respective Webasto representative of your country.

Im Fall einer mehrsprachigen Version ist Englisch verbindlich.

Die Telefonnummer des jeweiligen Landes entnehmen Sie bitte dem Webasto Servicestellen-Faltblatt oder der Webseite Ihrer jeweiligen Webasto Landesvertretung.

Bij een meertalige versie is de Engelse versie bindend.

Het telefoonnummer van het betreffende land kunt u vinden op het Webasto Servicepuntenoverzicht of de website van de Webastovestiging in uw land.

Dans le cas d'une version rédigée en plusieurs langues, l'anglais est alors la langue qui fait foi.

Pour trouver le numéro de téléphone du pays concerné, veuillez consulter le dépliant des points-service Webasto ou la page web de la représentation Webasto de votre pays.

Webasto Thermo & Comfort SE
Postfach 1410
82199 Gilching
Germany

Company Address:
Friedrichshafener Str. 9
82205 Gilching
Germany

Only within Germany
Tel: 0395 5592 229
E-mail: kundencenter@webasto.com

www.webasto.com