

Category: Heater

Document Number: PI116BC

Date: 7/20/2016 Rev: 08/2018

Description: **PWM CONTROLLER DRIVER 24V**



WARNING: Cancer and Reproductive Harm
www.P65Warnings.ca.gov

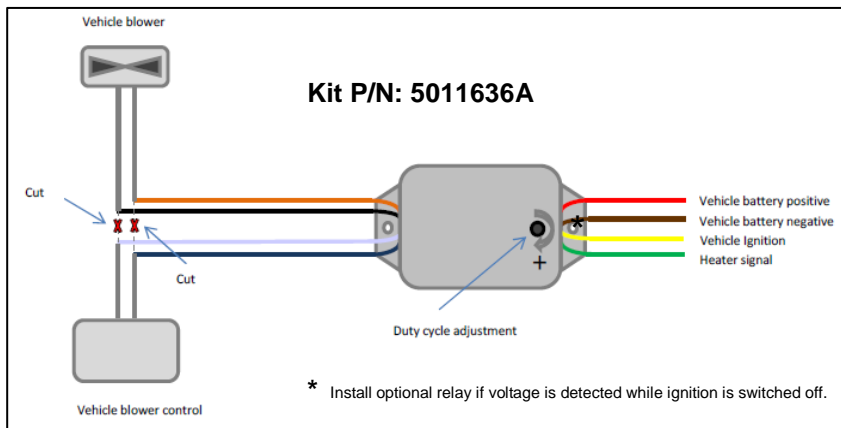
Overview

The PWM controller is designed to control the vehicle blower during Webasto heater operation to pre heat the interior of the cab. The blower speed is adjusted and set during the heater install by turning the dial on the module and changing the duty cycle of the PWM signal.

The controller is installed between the vehicles HVAC blower and vehicles blower controller. The signal from the Webasto heater will disconnect the vehicle blower from the vehicle blower control and provide power through the module.

After ignition is detected, the PWM controller will switch the blower motor back to the vehicles blower control (original vehicle wiring) with a 3 second delay.

NOTE: Verify that source ignition is 0 volts when switched off. Any voltage on this circuit when ignition is switched off will not allow the module to activate the vehicle blower circuit during heater operation. If voltage is detected on this ignition circuit, an relay is required. A relay should be installed on the yellow ignition wire between the PWM module and the ignition source as shown below.



Wire Color	Description	Wire Size
Red	Vehicle battery +	14 AWG
Brown	Vehicle battery -	14 AWG
Yellow	Vehicle ignition source	20 AWG
Green	Webasto heater signal	20 AWG
Orange	Power to motor	14 AWG
Black	Ground to motor	14 AWG
White	Ground to vehicle controls	14 AWG
Blue	Power to vehicle controls	14 AWG

Technical Specifications

Nominal Voltage	24V
Operating Voltage Range	16V – 33V
Maximum Current Output	15A
Duty Cycle Range	30 – 70% of input voltage
Physical Dimensions	96 X 74 X 38 mm - 3.8" x 2.9" x 1.5" (L x H x D) 119 X 74 X 38 mm - 4.7" x 2.9" x 1.5" (L x H x D) with mounting tabs

If you have any questions, contact our technical support team at (800) 860-7866 or via email at: info-us@webasto.com.