

## Category: Heater

Document Number: PI042BC

Date Posted: 9/10/2010

Description: **DBW 2010 Scholastic Exhaust Assembly Solid Pipe**

### Overview:

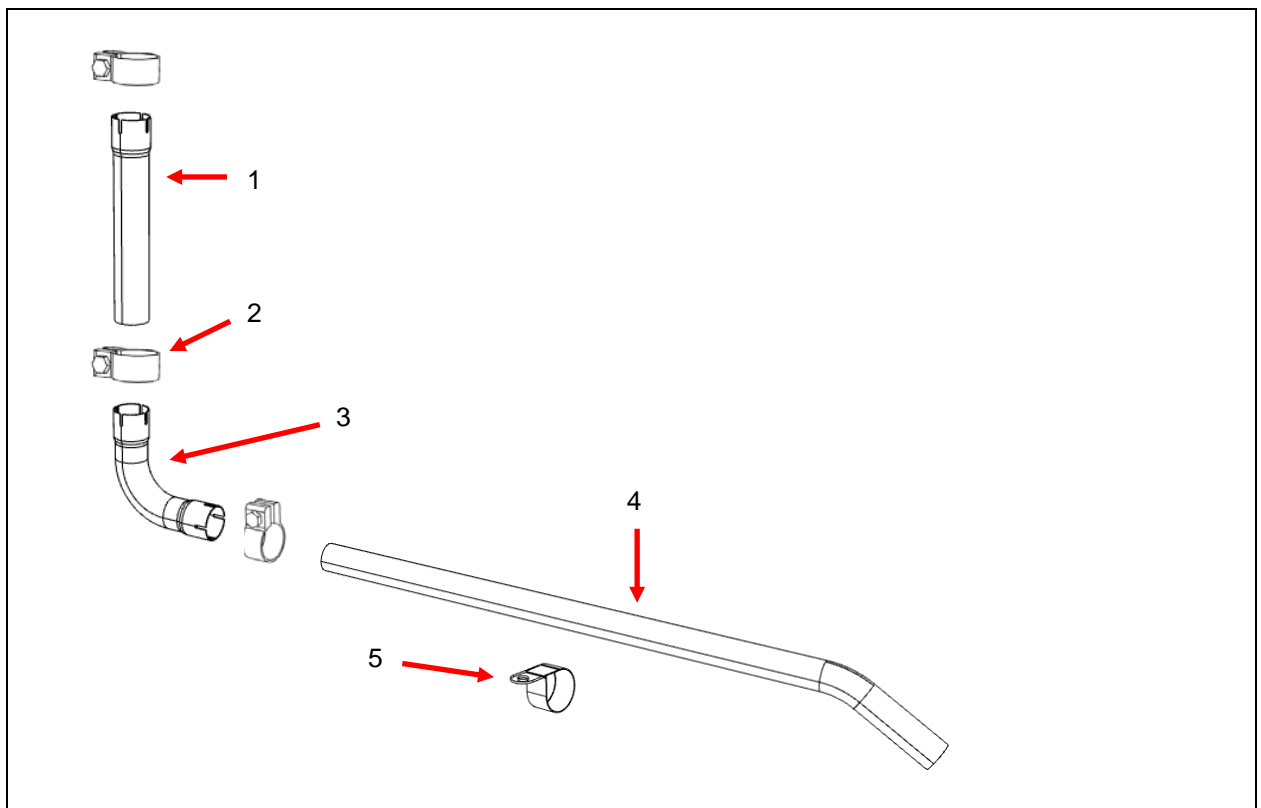
A special kit has been designed for certain bus markets that require the use of a solid exhaust pipe for the Webasto DBW 2010 Heater Assembly. Specific states may require this upgrade when installing auxiliary heating systems in a school bus. Please check your state / local requirements.

### Kit Contents:

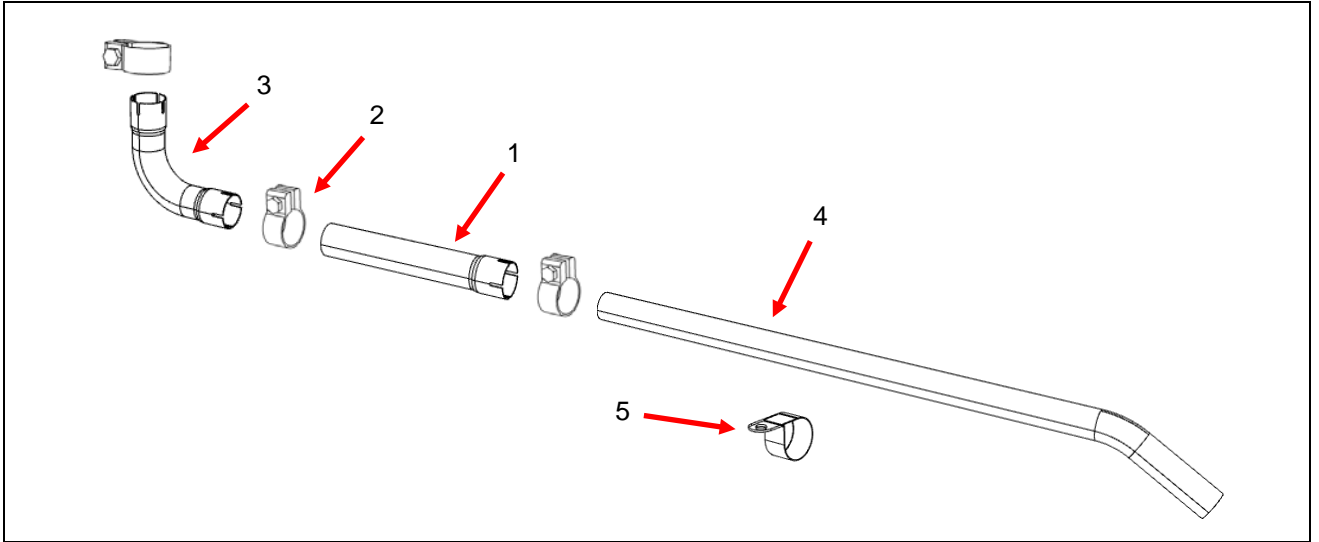
Quantity	Part	Part Number	Item Number
1	Complete Kit	5010216A	All
1	9" (228mm) 1 ½ O.D. Exhaust Extension	5010213A	1
3	Exhaust Clamps (Torque 20 ft/lbs)	367400Z	2
1	5.4" (138mm) 1 ½" O.D. 90° Exhaust Pipe	5010214A	3
1	32" (812mm) 1 ½ O.D. Exhaust Pipe End	5010215A	4
1	1 P Clamp	126830Z	5

Solid Pipe Configurations:

Configuration 1:



Configuration 2:



If you have any questions, contact our technical support team at (800) 860-7866 or via email at [info@webasto-us.com](mailto:info@webasto-us.com).