



Seat Comfort Systems Inc. Wire Heaters





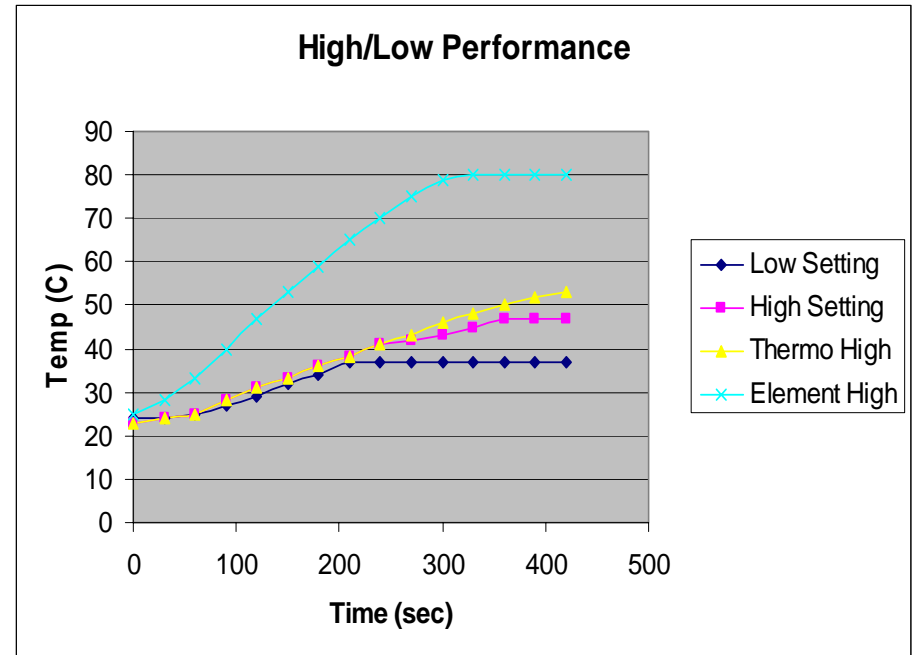
WHL Specifications

Design Specifications:

- 2 heat mats – back and cushion.
- (260mm x 208mm mat dimensions) (10.25" x 8")**
- 164 sqin (.108 sqm) heating area
- High/Low lighted switch
- Thermostat 40C and 50C

Performance:

- Input voltage 13.8 volts
- Resistance value high 3 ohms
- Current draw high 4.6 amps
- Power 63 watts, 31.5 watts per mat
- 38 watts / inch high setting – 582.47 watts/sqm**





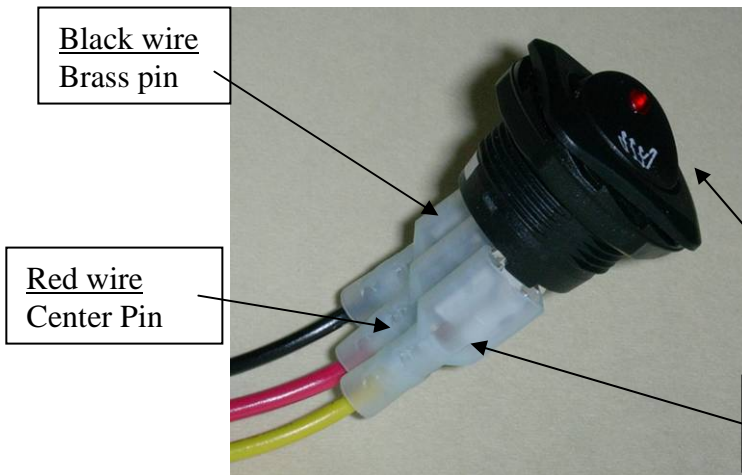
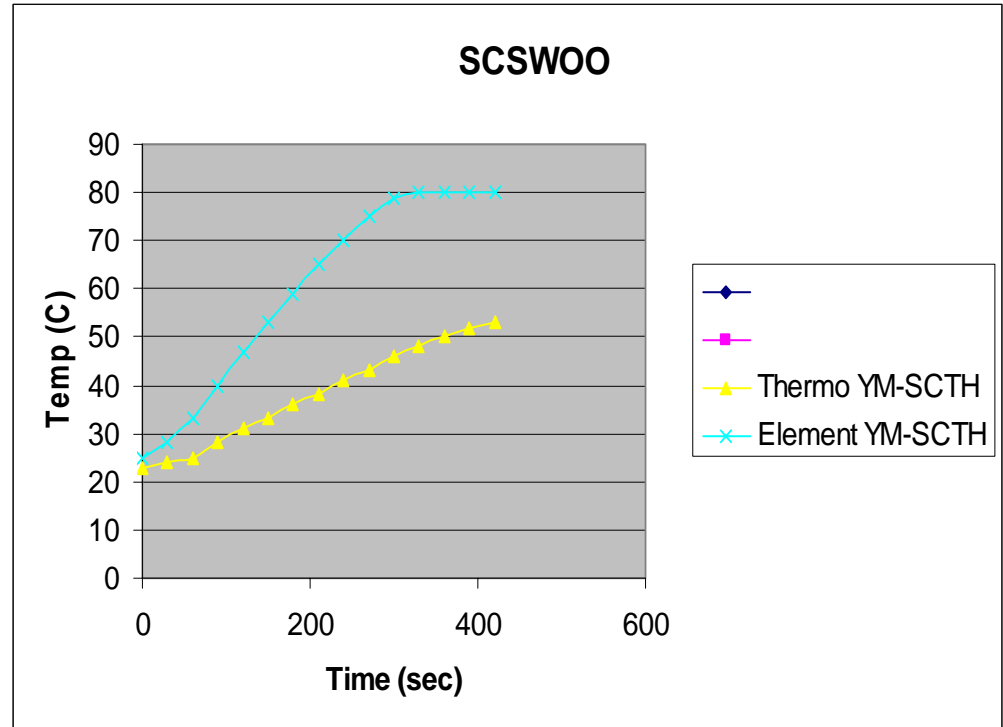
WOO Specifications

Design Specifications:

2 heat mats, cushion (thermostat) and back.
 Dimensions (10.25"x12"), (304.8mm x 260.35mm)
 123 sq/in heating area per mat
 On/off lighted switch
 Thermostat 48C
 Resistance value of mat 1.0 ohms

Performance:

Input voltage 13.8 volts
 Resistance value (r+r) 2 ohms
 Current draw 6.9 amps
 Power 95.22 watts, 47.61 watts per mat
.39 watts / inch



On/Off Heater Switch Connection

Connect the switch harness wires to the on/off switch:

- Yellow wire-** end connector (silver): directly below seat heater symbol
- Red wire-** middle connector (silver)
- Black wire-** end connector (brass): directly below switch led.