

Category: Heater

Document Number: PI146TP

Date: 7/20/2018

Description: **Multi-Unit Pump Relay Board**

Part Numbers:

Two station – 5011368A

Six station – 5011369A

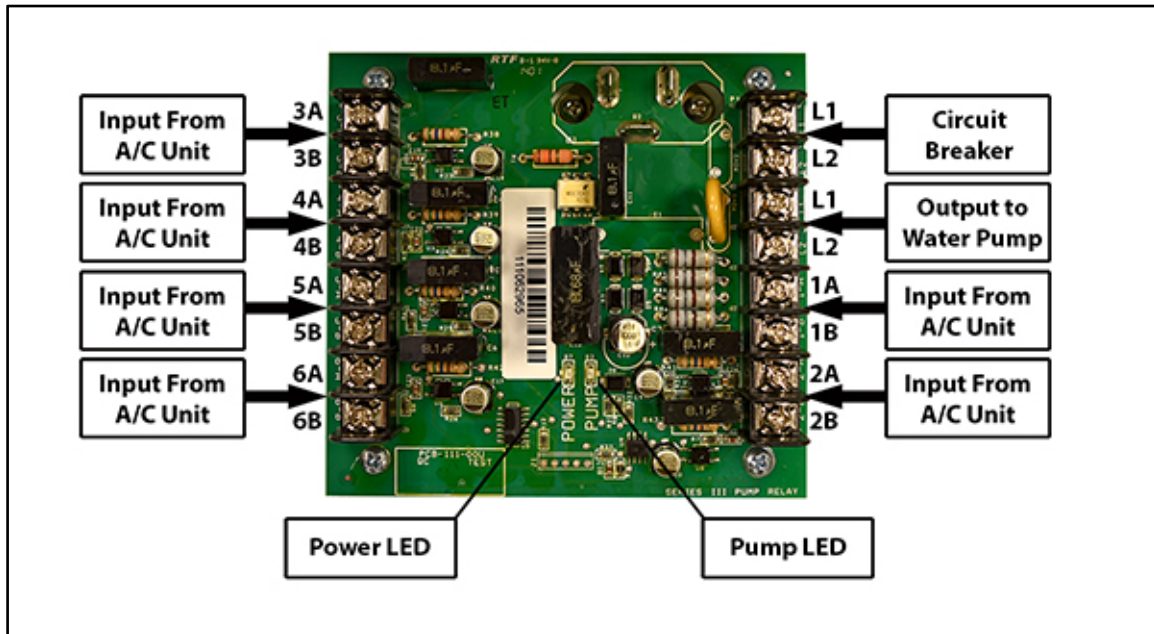
Overview:

This document covers how to wire 2- and 6-station relay boards for use in marine applications. The relay will turn on the seawater pump when any of the two or inputs are activated.

Specifications:

Continuous AC current	18 amps
Peak AC current	35 amps
AC line input	90 to 240 VAC
Trigger signal	90 to 240 VAC
Humidity	95% non-condensating
Temperature range	-20° F to 140°F (29° C to 60° C)
Housing dimensions	8.25 in X 6.25 in 2.67 in (209.6 mm x 158.75 mm x 67.8 mm)

Electrical Connections:



Any external contactors used for pumps must exceed the specifications above or for three phase pumps.

If you have any questions, contact our technical support team at (800) 860-7866 or via email at: info-us@webasto.com.