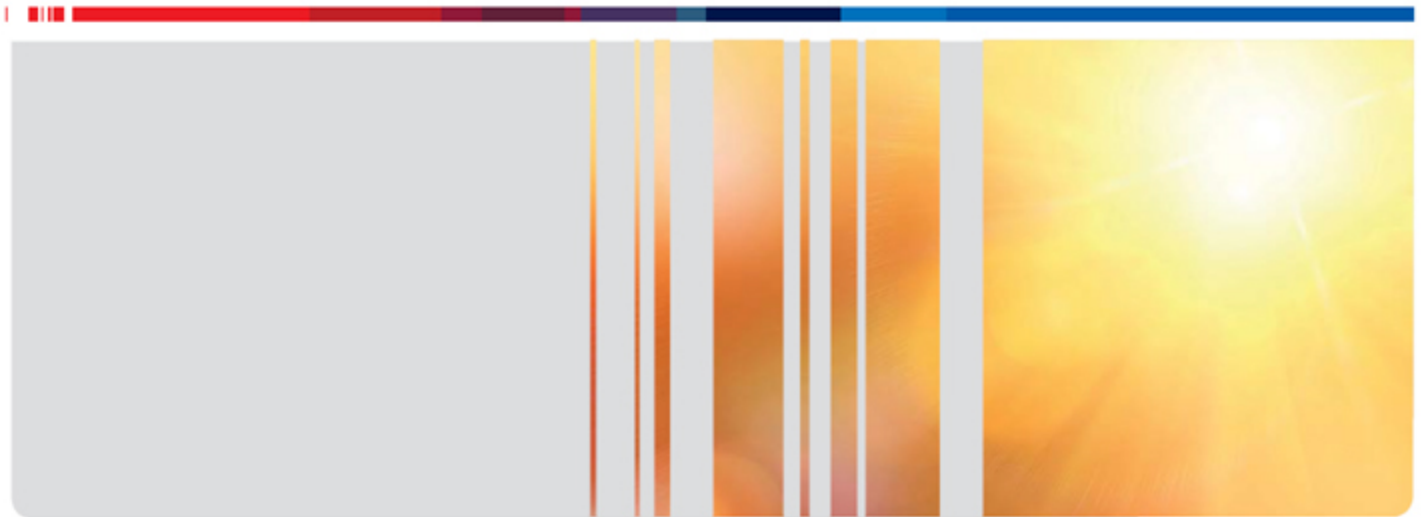


Spare Parts List

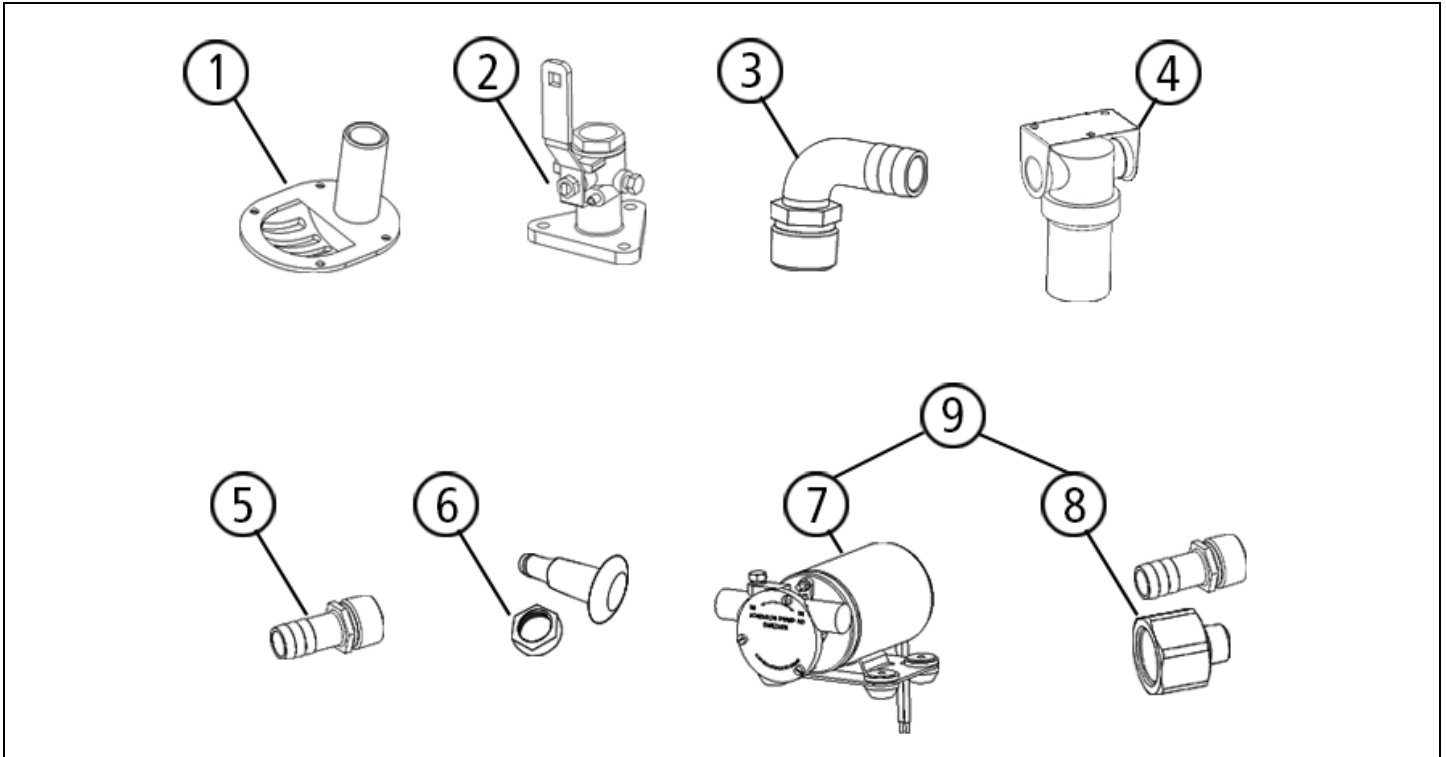
Marine HVAC Systems

Breeze 2 by Webasto



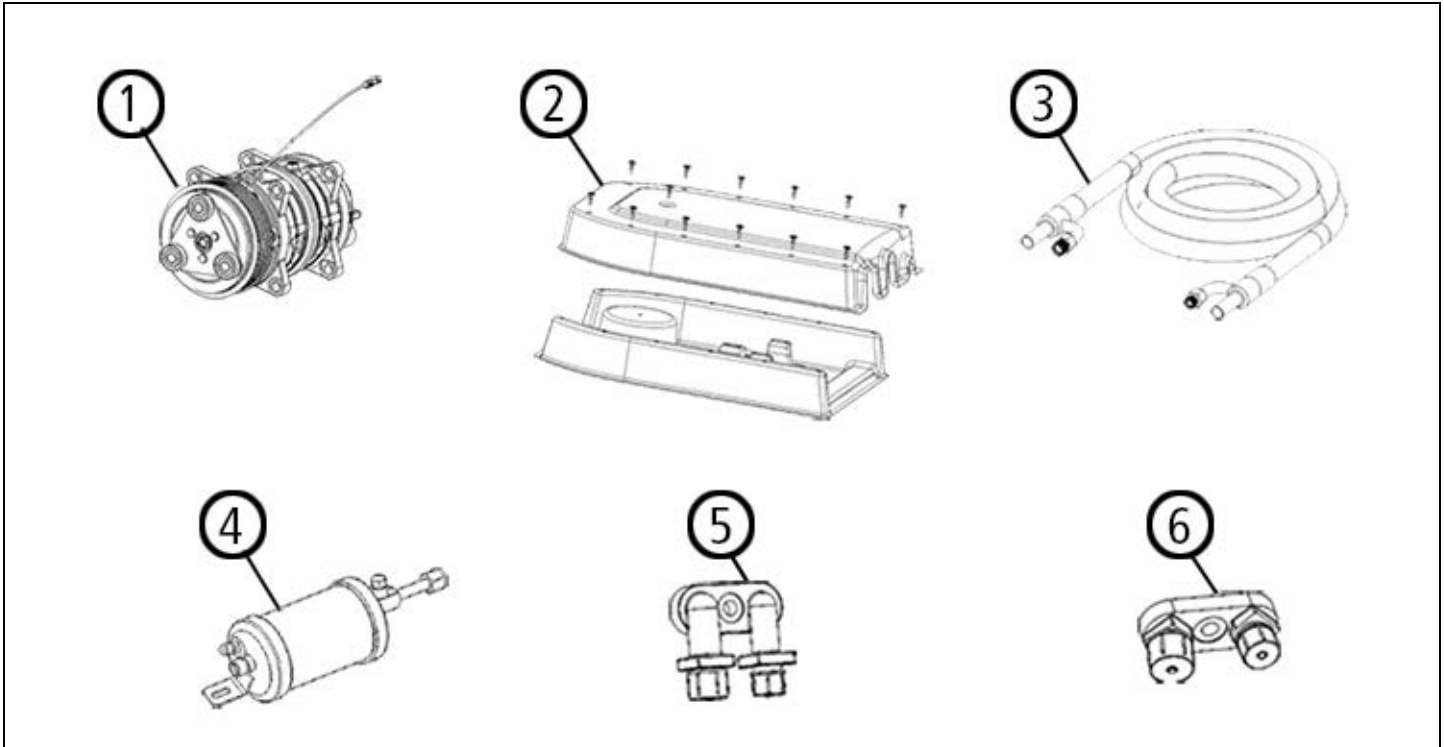
English

Seawater Kit and Components



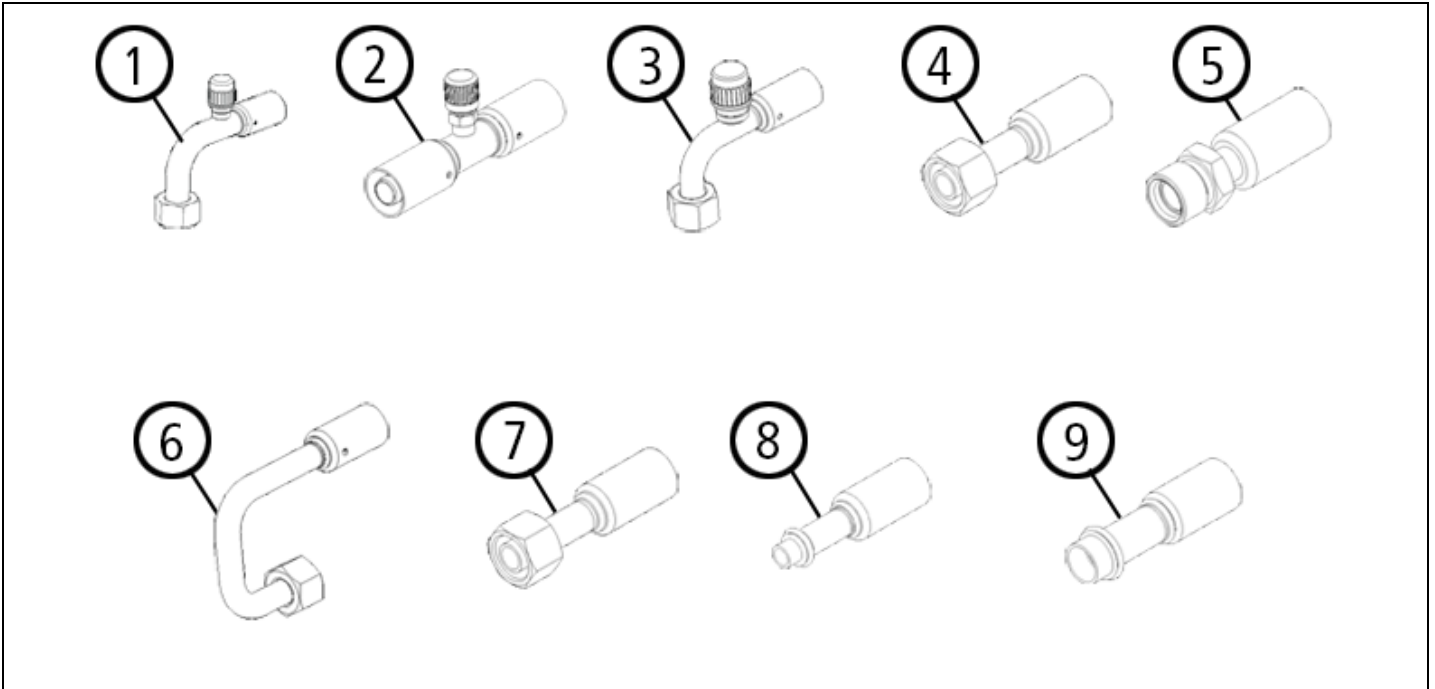
Pos	Part No.	Description	Notes
1	5010431A	SCOOP SEAWATER BRONZE 0.75 MNPS W/O NUTS	
2	5010218A	SEACOCK BRONZE 0.75 FNPS TO 0.75 FNPT	
3	5010219A	BRONZE 90 ELBOW 0.75 MNPT TO 0.75 BARB	
4	5013595A	STRAINER NYLON SEAWATER 0.75 INCH FNTP	
5	5013645A	FITTING – PVC 0.75 MNPT TO 0.75 HOSE	Qty. 4
6	5001531A	THRU HULL PLASTIC 0.75 HOSE BARB	
7	5013357A	PUMP SEAWATER SPXFLOW 12V 5.5 GPM	
8	5013356A	BAG FITTINGS 3/8 MNPT to 3/4 FNPT – BRASS / BRONZE	Contains 2 adapter fittings and 2 adapters
9	5013660A	SEAWATER PUMP KIT	

Compressor and Components



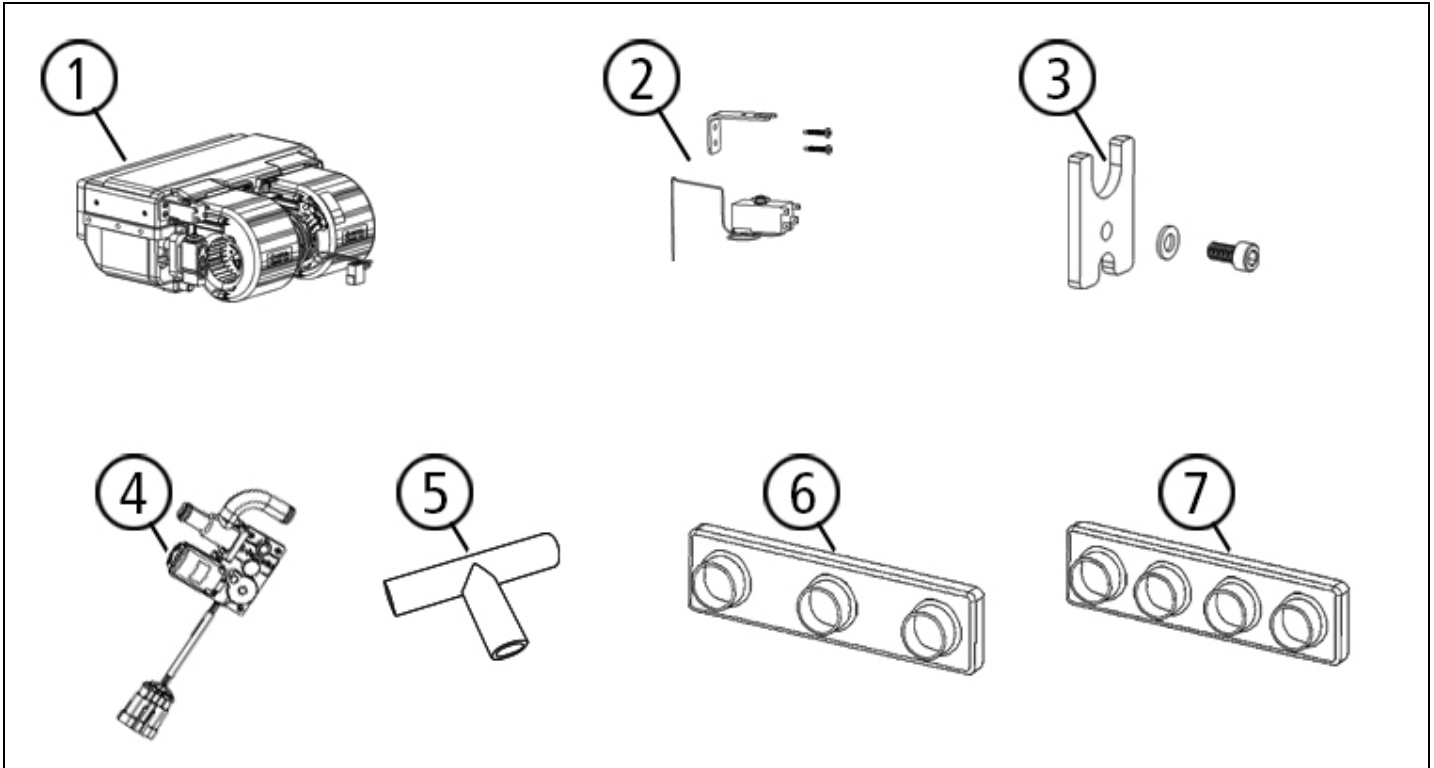
Pos	Part No.	Description	Notes
1	5011995A	COMPRESSOR 6PGV 12V R134A	
2	5013675A	CONDENSER BOX ASSY WEBASTO BREEZE	Includes base, lid, cable ties, nylon rivets, label
3	5013641A	CONDENSER WITH FITTINGS ASSY BRAZED	
4	5013593A	FILTER DRIER	
5	5012123A	MANIFOLD – VERTICAL DOWN	
6	5012392A	MANIFOLD - HORIZONTAL	
N/A	5013638A	HOSE REFRIGERANT SIZE -6 X 0.42M LONG	
N/A	5013302A	HOSE REFRIGERANT -6 x 9 METERS	
N/A	5013159A	HOSE REFRIGERANT -8 x 6 METERS	
N/A	5013303A	HOSE REFRIGERANT -10 x 9 METERS	
N/A	5013304A	ARMAFLEX COIL .875in ID x 9.5 METERS	

Fittings



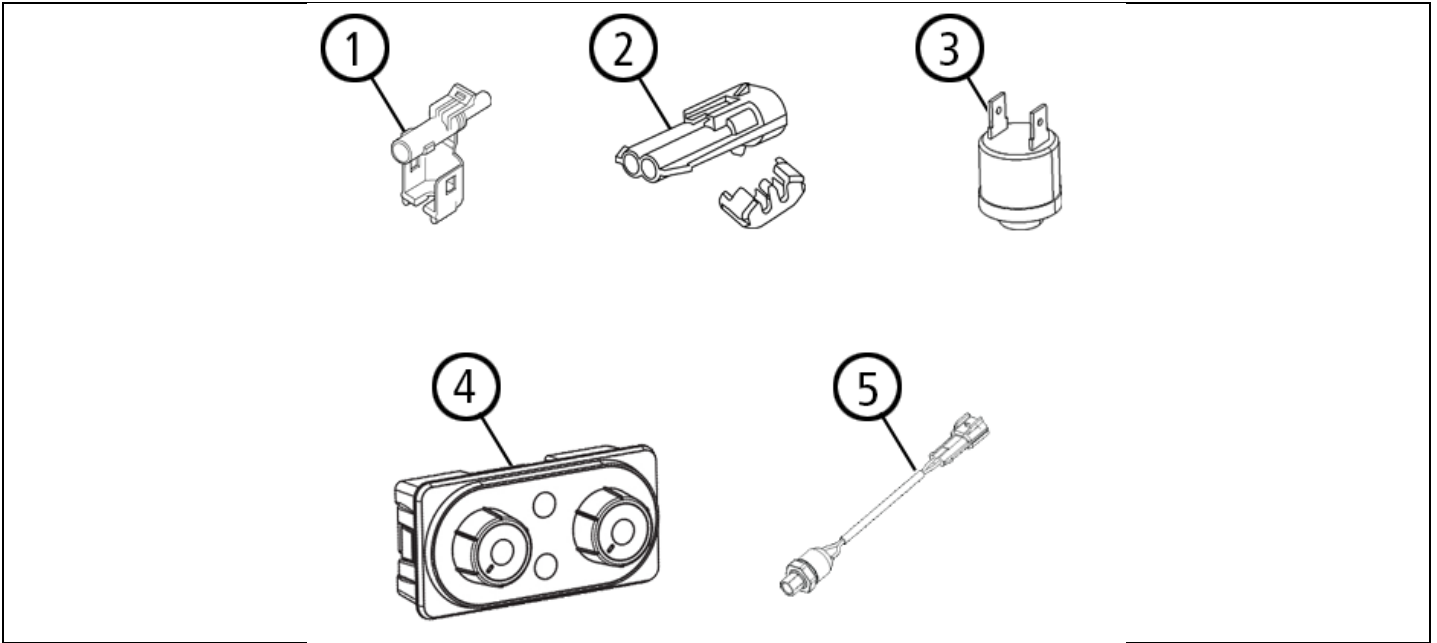
Pos	Part No.	Description	Notes
1	5013603A	FITTING AC CMP 90-10FTHD-10H with PORT	
2	5013599A	FITTING CMP STR-10H-10H with R12	
3	5013602A	FITTING AC CMP 90-08FTHD-08H with PORT	
4	5013598A	FITTING AC CMP STR-08FTHD-08H	
5	5013605A	FITTING AC CMP STR-06MTHDI-06H	
6	5013604A	FITTING REFRIGERANT 180-06THD-06HOSE	
7	5013597A	FITTING AC CMP STR-06FTHD-06H	
8	5013600A	CRIMP FITTING AC STR-06T-O-06H FLEXIN	
9	5013601A	CRIMP FITTING AC STR 12T-O-10H FLEXIN	
N/A	5012954A	CRIMPING TOOL	

Evaporator



Pos	Part No.	Description	Notes
1	5012783A	GLASGOW EVAP 12V WITH FREEZE SENSOR	AC system only
1	5012873A	OSLO EVAP 12V WITH FREEZE SENSOR	HVAC system only
2	5013496A	BAG – THERMOSTAT FREEZE PROTECTION	
3	62043066D	BAG TXV PLATE	
4	6241258A	COOLANT VALVE 12V	HVAC system only
5	629069011A	PLASTIC TEE FITTING 13x13x13mm	
6	62U003AA151A	DIFFUSER – 3 PORT	
7	62U003AA019A	DIFFUSER – 4 PORT	

Electrical



Pos	Part No.	Description	Notes
1	5012839A	BAG – 1-WAY CONNECTOR – A/C COMPRESSOR	INCLUDES TERMINALS AND SEALS
2	5012840A	BAG – 2-WAY CONNECTOR – COOLANT PUMP	INCLUDES TERMINALS AND SEALS
3	6233268A	BAG – PRESSURE SWITCH 0350FF-210N	
4	5012813A	CONTROLLER NEO 2 HVAC	
5	5013594A	HIGH PRESSURE SWITCH	
N/A	5013634A	HARNESS – AC ONLY	
N/A	5013635A	HARNESS – HVAC	
N/A	5013650A	BAG – HARNESS CONNECTORS – AC ONLY	CONTAINS ALL CONNECTOR HOUSINGS, TERMINALS, AND SEALS
N/A	5013649A	BAG – HARNESS CONNECTORS – NEO 2 (HVAC)	CONTAINS ALL CONNECTOR HOUSINGS, TERMINALS, AND SEALS
N/A	5013305A	Split Braided Sleeving - 0.125" ID X 0.15 M	For compressor wire



In multilingual versions the English language is binding. The telephone number of the respective country is shown on the Webasto service center leaflet or can be found on the website of your Webasto subsidiary.

Dans le cas d'une version rédigée en plusieurs langues, l'anglais est alors la langue qui fait foi. Pour trouver le numéro de téléphone du pays concerné, veuillez consulter le dépliant des points-service Webasto ou la page web de la représentation Webasto de votre pays.



Webasto Thermo & Comfort N.A., Inc.
15083 North Road
Fenton, MI 48430

Technical Assistance Hotline
USA: (800) 860-7866
Canada: (800) 667-8900

Org. 11/2019

Rev. N/A

www.webasto.us
www.techwebasto.com