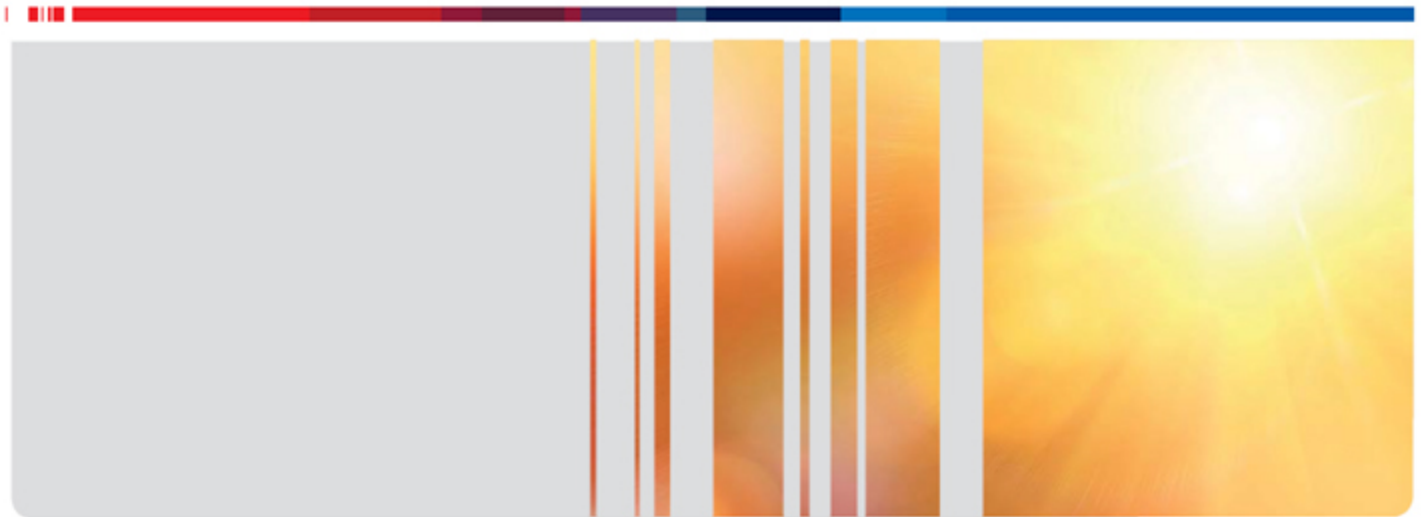


# Spare Parts List

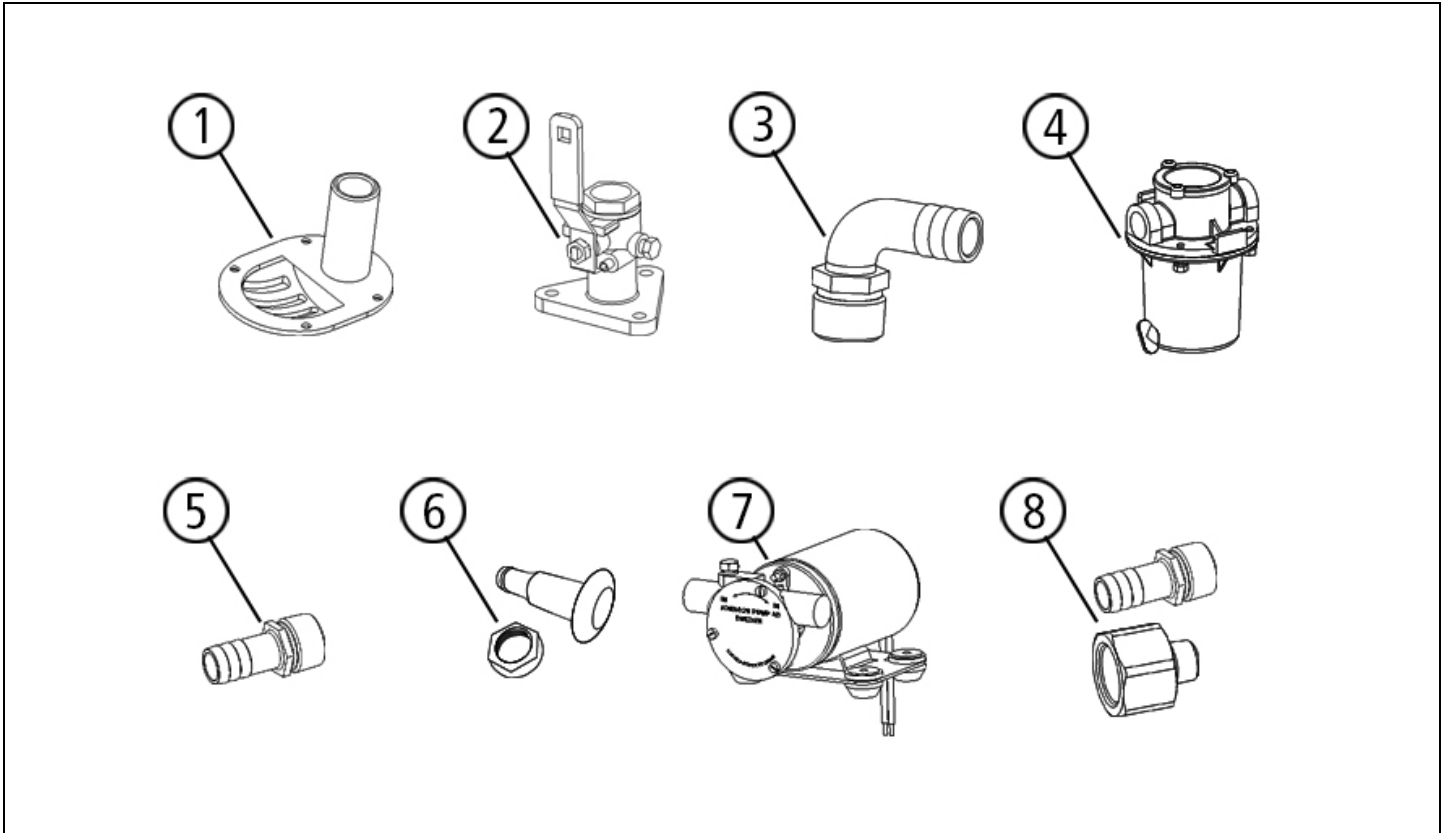
Marine HVAC Systems

Breeze by Webasto



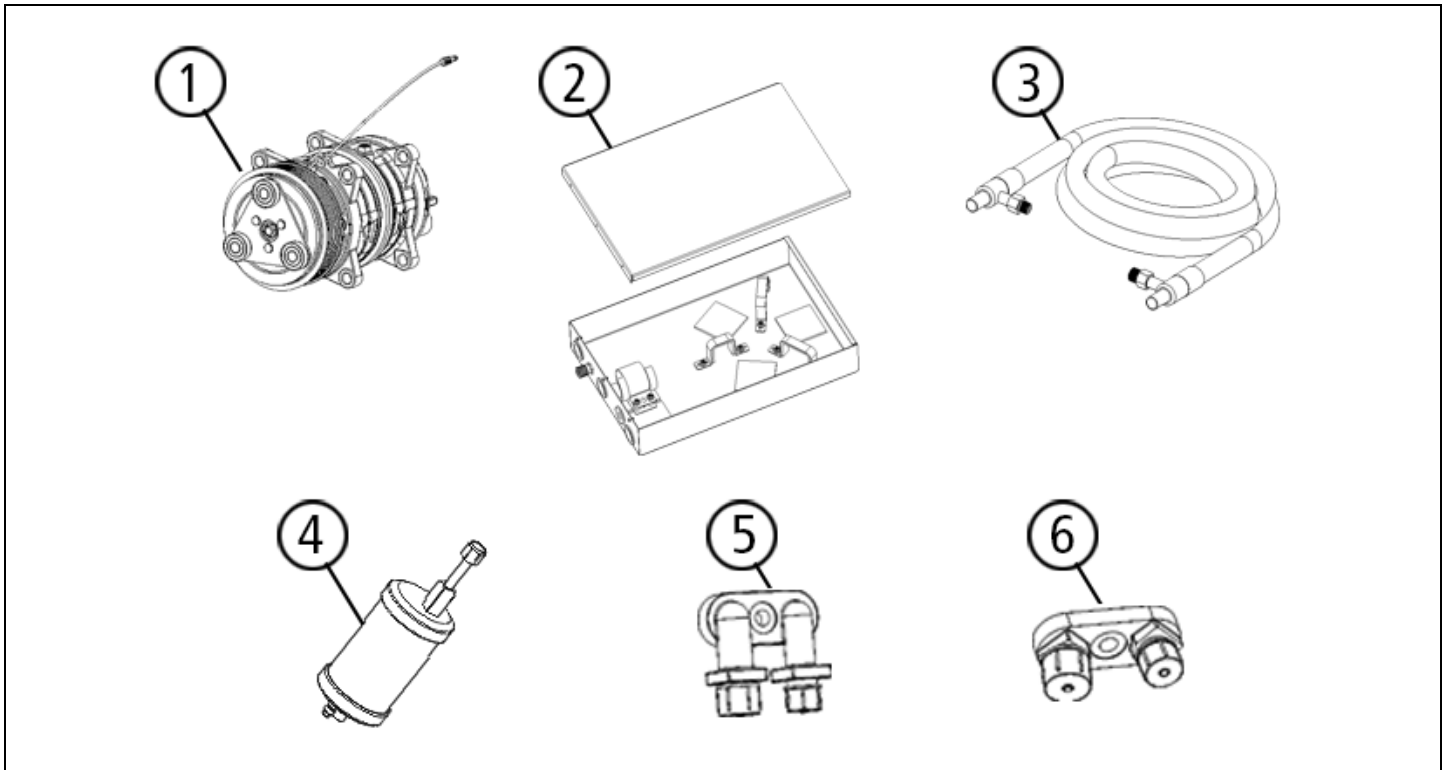
**English**

## Seawater Kit and Components



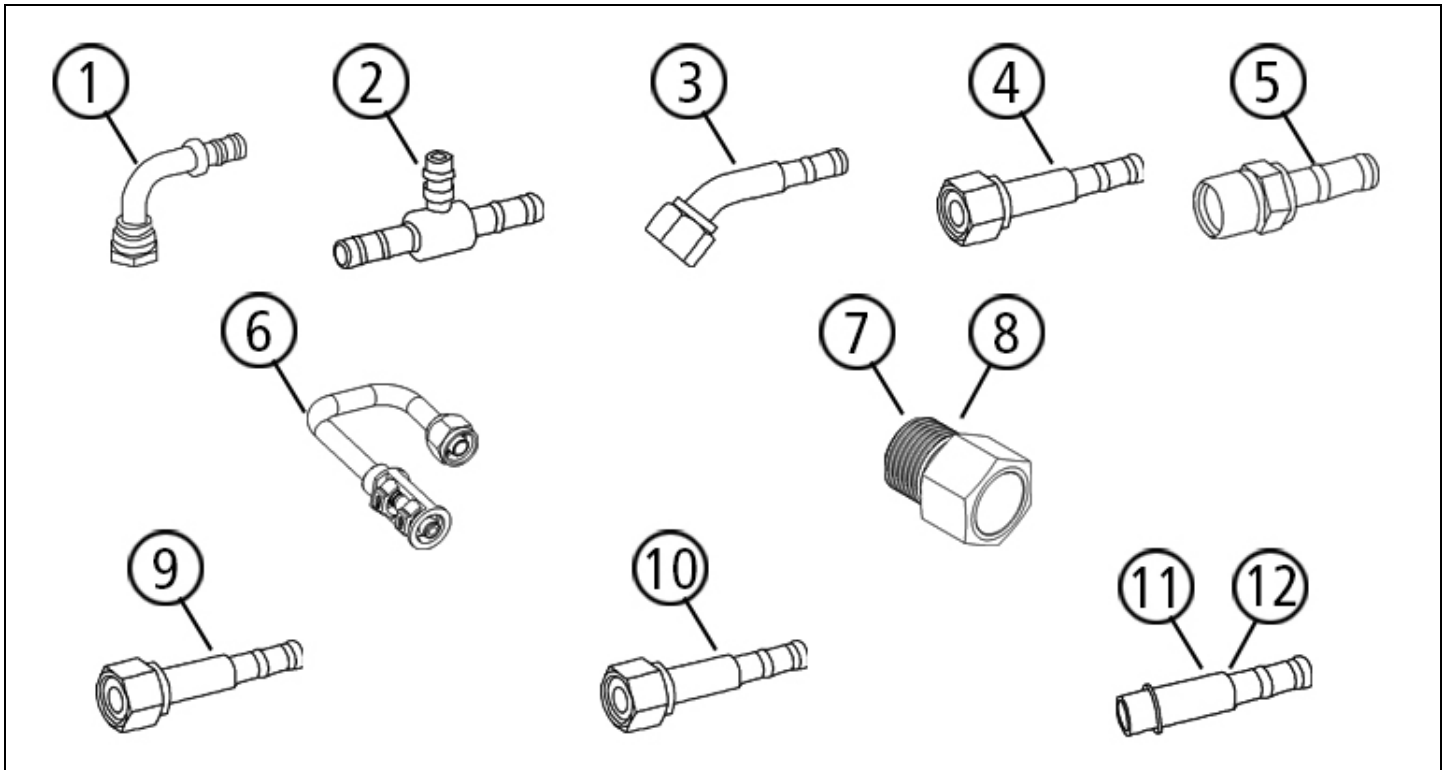
Pos	Part No.	Description	Notes
1	5010431A	SCOOP SEAWATER BONZE 0.75 MNPS W/O NUTS	
2	5010218A	SEACOCK BRONZE 0.75 FNPS TO 0.75 FNPT	
3	5010219A	BRONZE 90 ELBOW 0.75 MNPT TO 0.75 BARB	
4	5010430A	STRAINER BRONZE SEAWATER 0.75 INCH FNPT	
5	5010222A	FITTING – BRONZE 0.75 MNPT TO 0.75 HOSE	
6	5001531A	THRU HULL PLASTIC 0.75 HOSE BARB	
7	5013357A	PUMP SEAWATER SPXFLOW 12V 5.5 GPM	
8	5013356A	BAG FITTINGS 3/8 MNPT to 3/4 FNPT	Contains 2 adapter fittings and 2 adapters
N/A	5013360A	KIT – SEAWATER PUMP	Contains pump, 2 adapter fittings, and 2 adapters

## Compressor and Components



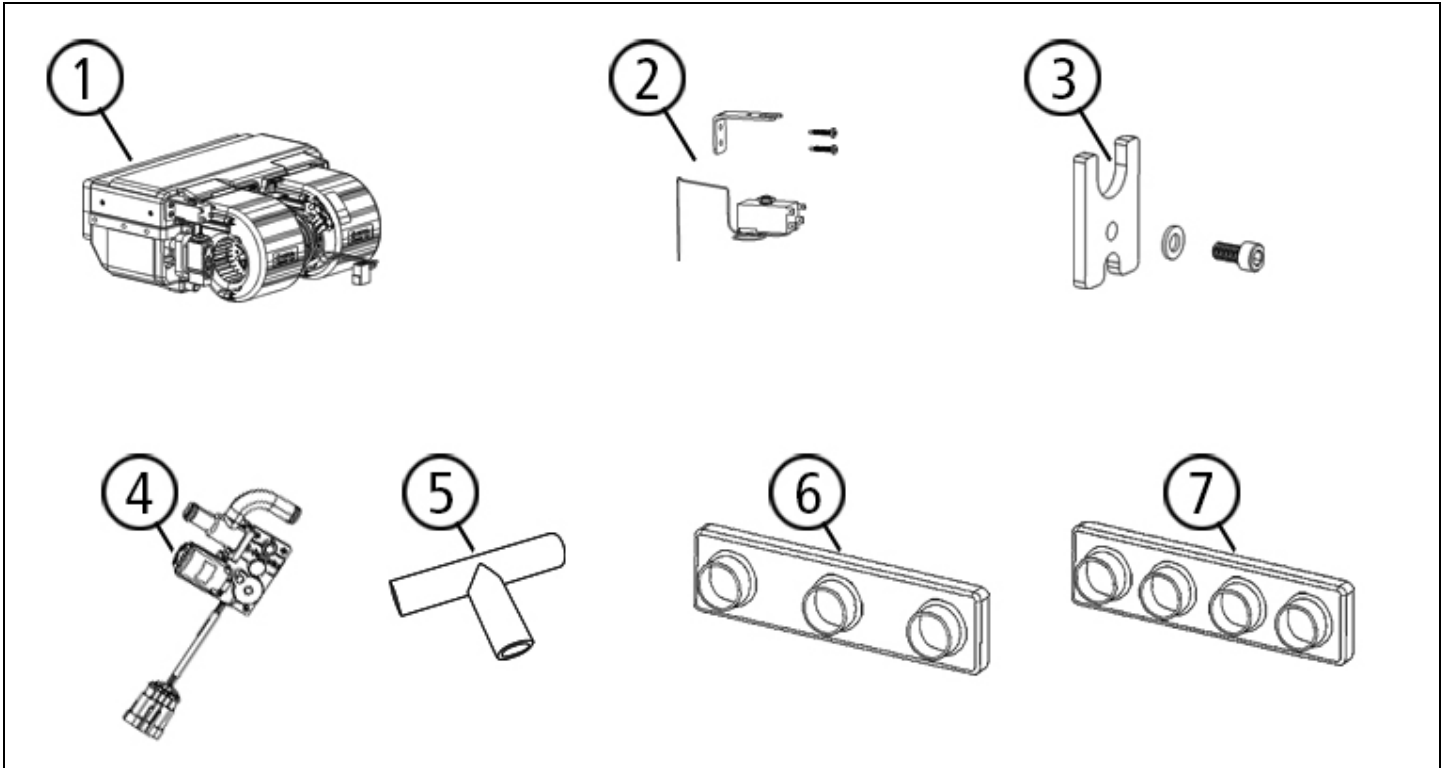
Pos	Part No.	Description	Notes
1	5011995A	COMPRESSOR 6PGV 12V R134A	
2	5013497A	CONDENSER BOX ASSY WEBASTO BREEZE	Includes grommets, fasteners, and brackets
3	5012361A	CONDENSER WITH FITTINGS ASSY BRAZED	
4	62017065A	FILTER DRIER R134A M-F D76 H226	
5	5012123A	MANIFOLD – VERTICAL DOWN	
6	5012392A	MANIFOLD - HORIZONTAL	
N/A	5013208A	HOSE REFRIGERANT SIZE -6 X 0.61M LONG	
N/A	5013302A	HOSE REFRIGERANT -6 x 9 METERS	
N/A	5013159A	HOSE REFRIGERANT -8 x 6 METERS	
N/A	5013303A	HOSE REFRIGERANT -10 x 9 METERS	
N/A	5013304A	ARMAFLEX COIL .875in ID x 9.5 METERS	

## Fittings



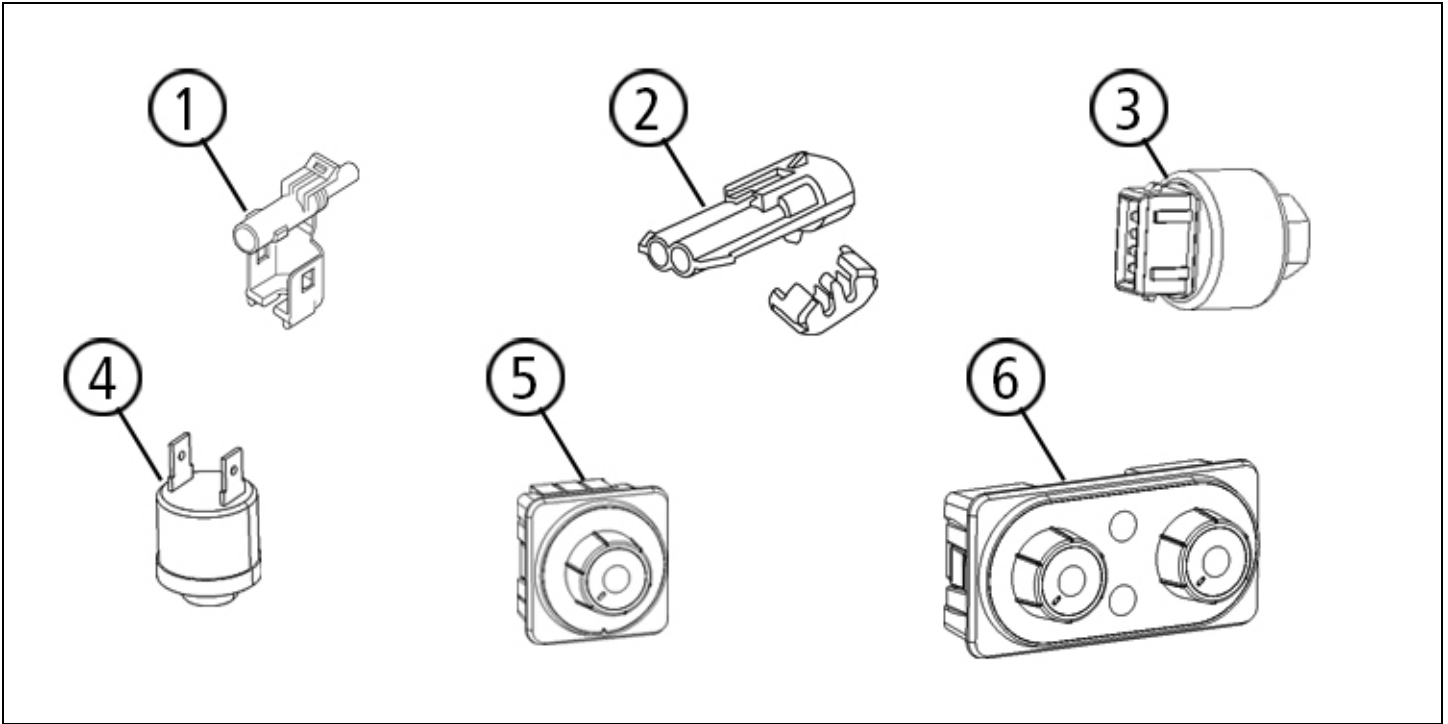
Pos	Part No.	Description	Notes
		<b>NOTE:</b> All fittings come with hose clamps and cages where applicable.	
1	5011019A	BC-AC-90FIT-10THD-10HOSE-WPORT	
2	5011244A	SPLICER IN LINE-10HOSE WITH PORT	
3	5011017A	BC-AC-90FIT-08THD-08HOSE-WPORT	
4	5011044A	FITTING REFRIGERANT STRAIGHT -08THD-08H	
5	5011249A	BC-AC-STR-06 O-RING-06HOSE	
6	5011212A	FITTING REFRIGERANT 180-06THD-06HOSE	
7	5012627A	FITTING BRONZE MALE AC SIZE 6 MODIFIED	
8	5012628A	FITTING BRONZE MALE AC SIZE 8 MODIFIED	
9	5011043A	FITTING REFRIG STR-06THD TO -06H	
10	5011044A	BC-AC-STR-FIT-08THD-08HOSE	
11	5011036A	BC-AC-STR-FIT-06TUBE-O-06HOSE	
12	5011039A	BC-AC-STR-FIT-12TUBE-O-10HOSE	
N/A	5012954A	CRIMPING TOOL	

## Evaporator



Pos	Part No.	Description	Notes
1	5012783A	GLASGOW EVAP 12V WITH FREEZE SENSOR	AC system only
1	5012873A	OSLO EVAP 12V WITH FREEZE SENSOR	HVAC system only
2	5013496A	BAG – THERMOSTAT FREEZE PROTECTION	
3	5013071A	BAG TXV PLATE	
4	6241258A	COOLANT VALVE 12V	
5	629069011A	PLASTIC TEE FITTING 13x13x13mm	
6	62U003AA151A	AIR OUTLET – 3 PORT	
7	62U003AA019A	AIR OUTLET – 4 PORT	

## Electrical



Pos	Part No.	Description	Notes
1	5012839A	BAG – 1-WAY CONNECTOR – A/C COMPRESSOR	INCLUDES TERMINALS AND SEALS
2	5012840A	BAG – 2-WAY CONNECTOR – COOLANT PUMP	INCLUDES TERMINALS AND SEALS
3	62043118B	BAG – PRESSURE SWITCH 3 LEVEL	
4	6233268A	BAG – PRESSURE SWITCH 035OFF-21ON	
5	5012812A	CONTROLLER NEO 1 AC	
6	5012813A	CONTROLLER NEO 2 HVAC	
N/A	5013286A	HARNESS – A/C NEO 1 CONTROLLER	AC ONLY
N/A	5013287A	HARNESS – HVAC NEO 2 CONTROLLER	HVAC ONLY
N/A	5013430A	BAG – HARNESS CONNECTORS – NEO 1 (AC)	CONTAINS ALL CONNECTOR HOUSINGS, TERMINALS, AND SEALS – AC
N/A	5013410A	BAG – HARNESS CONNECTORS – NEO 2 (HVAC)	CONTAINS ALL CONNECTOR HOUSINGS, TERMINALS, AND SEALS – HVAC



In multilingual versions the English language is binding. The telephone number of the respective country is shown on the Webasto service center leaflet or can be found on the website of your Webasto subsidiary.

Dans le cas d'une version rédigée en plusieurs langues, l'anglais est alors la langue qui fait foi. Pour trouver le numéro de téléphone du pays concerné, veuillez consulter le dépliant des points-service Webasto ou la page web de la représentation Webasto de votre pays.



**Webasto Thermo & Comfort N.A., Inc.**  
15083 North Road  
Fenton, MI 48430

Technical Assistance Hotline  
USA: (800) 860-7866  
Canada: (800) 667-8900

Org. 9/2019

Rev. N/A

[www.webasto.us](http://www.webasto.us)  
[www.techwebasto.com](http://www.techwebasto.com)