

Spare Part List

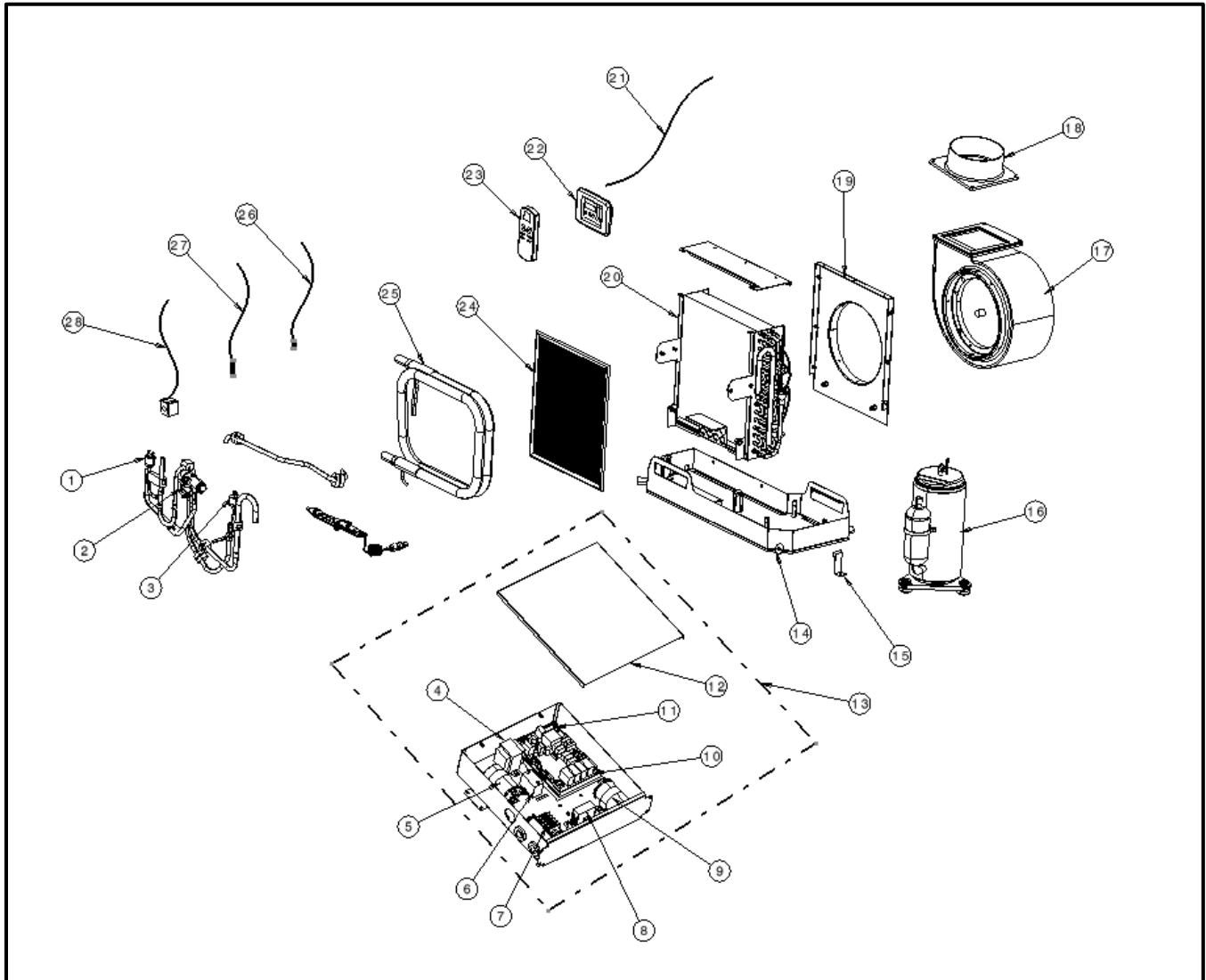
Marine

FCF Platinum Series - 115V (60Hz) | 230V (50/60Hz)

12,000 – 16,000 BTU

R410





Position	Webasto Part #	Description	R410A 115V (60 Hz)		R410A 230V (50/60 Hz)	
			5011398A 12k 115V	5011400A 16k 115V	5011399A 12k 230V	5011401A 16k 230V
1	5012055A	High Pressure Switch FCF Platinum R410A	X	X	X	X
2	5012030A	Reverse Valve Assembly FCF Platinum 12k R410A	X		X	
	5012035A	Reverse Valve Assembly FCF Platinum 16k R410A		X		X
3	5012056A	Low Pressure Switch FCF Platinum R410A	X	X	X	X
4	5012173A	Transformer FCF Platinum 115V	X	X		
	5012192A	Transformer FCF Platinum 230V			X	X
5	5012451A	Capacitor 50uF-450V Compressor FCF Platinum	X			
	5012452A	Capacitor 35uF-450V Compressor FCF Platinum			X	
	FCFSP0075A	Capacitor 60uF-450V Compressor FCF Platinum		X		X
6	FCFSP0006A	Capacitor 15uF-300V Blower Start FCF Platinum	X	X		
	FCFSP0063A	Capacitor 3.5uF-450V Blower Start FCF Platinum			X	
	FCFSP0067A	Capacitor 4uF-500V Blower Start FCF Platinum				X
7	FCFSP0059A	Terminal Board FCF Platinum	X	X	X	X
8	5012309A	AC Contactor FCF Platinum 115V	X	X		
	5012310A	AC Contactor FCF Platinum 230V			X	X
9	5012315A	Capacitor 25uF-450V Blower Run FCF Platinum	X	X	X	X
10	5012434A	Main Circuit Board FCF Platinum	X	X	X	X
11	5012190A	5 Amp 250V Fuse FCF Platinum	X	X	X	X
12	5012301A	Electrical Box Cover FCF Platinum 12k & 16k	X	X	X	X
13	5012306A	Electrical Box Assembly FCF Platinum 12k 115V	X			
	5012307A	Electrical Box Assembly FCF Platinum 16k 115V		X		
	5012308A	Electrical Box Assembly FCF Platinum 12k 230V			X	
	5012438A	Electrical Box Assembly FCF Platinum 16k 230V				X
14	5012329	Condensate Drain Pipe FCF Platinum	X	X	X	X
15	FCFSP0058A	Clamp Hold Down FCF Platinum	X	X	X	X
16	5012029A	Compressor FCF Platinum 12k 115V R410A	X			
	5012034A	Compressor FCF Platinum 16k 115V R410A		X		
	5012049A	Compressor FCF Platinum 12k 230V R410A			X	
	5012050A	Compressor FCF Platinum 16k 230V R410a				X
17	5012182A	Blower Assembly FCF Platinum 12k 115V	X			
	5012051A	Blower Assembly FCF Platinum 16k 115V		X		
	5012044A	Blower Assembly FCF Platinum 12k 230V			X	
	5012183A	Blower Assembly FCF Platinum 16k 230V				X
18	FCFSP0017A	Duct Ring 5" FCF Platinum	X	X	X	X
19	5012829A	Evaporator Wall FCF Platinum 12k	X		X	
	5012830A	Evaporator Wall FCF Platinum 16k		X		X
20	5012033A	Evaporator Assembly FCF Platinum 12k R410A	X		X	
	5012038A	Evaporator Assembly FCF Platinum 16k R410A		X		X

21	FCFSP0098A	Display Cable 8 meters Long FCF Platinum	X	X	X	X
22	5012299A	Digital Display FCF Platinum	X	X	X	X
23	5012610A	Remote FCF Platinum	X	X	X	X
24	5012455A	Air Filter FCF Platinum 12k	X		X	
	5012456A	Air Filter FCF Platinum 16k		X		X
25	5012031A	Condenser Coil FCF Platinum 12k R410A	X		X	
	5012036A	Condenser Coil FCF Platinum 16k R410A		X		X
26	5012316A	Evaporator Temp Sensor FCF Platinum	X	X	X	X
27	5012172A	Ambient Temp Sensor FCF Platinum	X	X	X	X