

Spare Part List

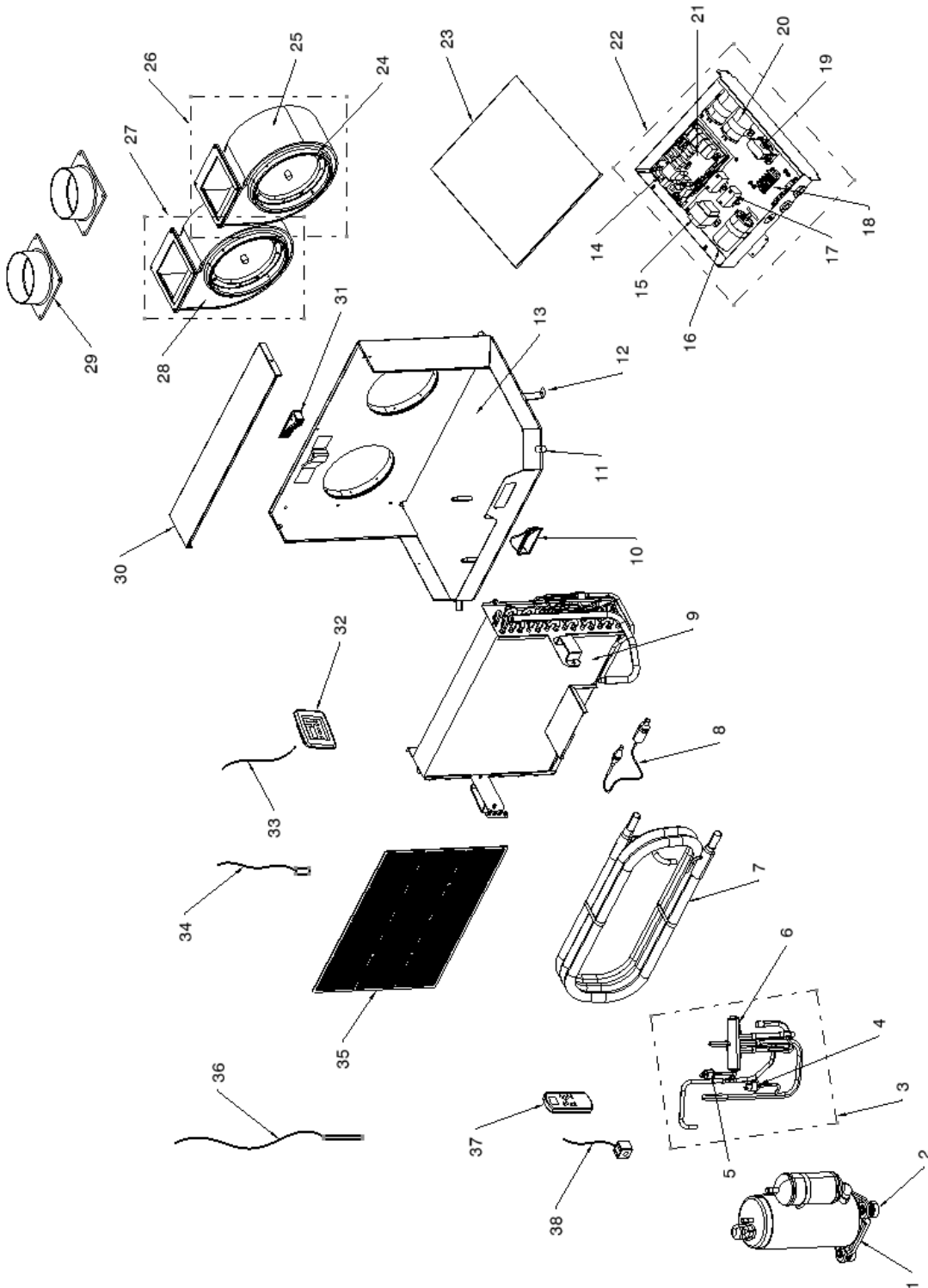
Marine

FCF Platinum Series - 230V (50/60Hz)

20,000 – 25,000 BTU

R410





Position	FCF Platinum 20k & 25k Spare Parts			R410A 230V (50/60 Hz)	
	Gree Part #	Webasto Part #	Description	5011402A 20k 230V	5011403A 25k 230V
1	0020390001P	5012054A	Compressor FCF Platinum 20k 230V R410A	X	
	00203924P	5012062A	Compressor FCF Platinum 25k 230V R410A		X
2	76812805	5012174A	Mounting Gasket Compressor FCF Platinum 20k 230V	X	
	76711065	5012187A	Mounting Gasket Compressor FCF Platinum 25k 230V		X
3	04043900001	5012167A	Reverse Valve Assembly FCF Platinum 20k R410A	X	
	04143923	5012063A	Reverse Valve Assembly FCF Platinum 25k R410A		X
4	46020006	5012055A	High Pressure Switch FCF Platinum R410A	X	X
5	46020007	5012056A	Low Pressure Switch FCF Platinum R410A	X	X
6	430004032	5012595A	Reverse Valve FCF Platinum 20k & 25k	X	X
7	00903910	5012061A	Condenser Coil FCF Platinum 20k R410A	X	
	00903907P	5012064A	Condenser Coil FCF Platinum 25k R410A		X
8	04003900001	5012057A	Capillary Assembly FCF Platinum 20k R410A	X	
	04103944	5012065A	Capillary Assembly FCF Platinum 25 R410A		X
9	01023930	5012066A	Evaporator Assembly FCF Platinum 20k & 25k R410A	X	X
10	26235401	5012189A	Handle Big for Base Frame FCF Platinum 20 & 25k	X	X
11	04363901	5012329A	Condensate Drain Pipe FCF Platinum	X	X
12	01729602	FCFSP0058A	Clamp Hold Down FCF Platinum	X	X
13	01283900003	5012312A	Base Frame Assembly FCF Platinum 20k	X	
	01284027	5012313A	Base Frame Assembly FCF Platinum 25k		X
14	46010060	5012190A	5 Amp 250V Fuse FCF Platinum	X	X
15	43110239	5012192A	Transformer FCF Platinum 230V	X	X
16	3300008102	5012452A	Capacitor 35uF-450V Compressor FCF Platinum	X	
	3300008103	5012454A	Capacitor 45uF-450V Compressor FCF Platinum		X
17	33010010	FCFSP0063A	Capacitor 3.5uF-450V Blower Start FCF Platinum	X	X
18	42010254	FCFSP0059A	Terminal Board FCF Platinum	X	X
19	44010245	5012310A	AC Contactor FCF Platinum 230V	X	X
20	33000081	5012315A	Capacitor 25uF-450V Blower Run FCF Platinum	X	X
21	30225000010	5012434A	Main Circuit Board FCF Platinum	X	X
22	01393900125	5012441A	Electrical Box Assembly FCF Platinum 20k	X	
	01393900126	5012442A	Electrical Box Assembly FCF Platinum 25k		X
23	01423900105P	5012605A	Electrical Box Cover FCF Platinum 20k & 25k	X	X
24	01523902P	5012328A	Diversion Ring FCF Platinum 20k & 25k	X	X
25	150094065	5012305A	Blower Left Side FCF Platinum 20k & 25k	X	X
26	15403950	5012185A	Blower Assembly Left Side FCF Platinum 20k & 25k	X	X
27	15403943	5012184A	Blower Assembly Right Side FCF Platinum 20k & 25k	X	X
28	150094067	5012320A	Blower Right Side FCF Platinum 20k & 25k	X	X
29	06329402	FCFSP0017A	Duct Ring 5" FCF Platinum	X	X
30	01263972	5012327A	Evaporator Cover FCF Platinum 20k & 25k	X	X

31	26233100	5012186A	Handle Small for Base Frame FCF Platinum 6k	X	X
32	30295000009	5012299A	Digital Display FCF Platinum	X	X
33	400300412	FCFSP0098A	Display Cable 8 meters Long FCF Platinum	X	X
34	34030026	5012594A	Evaporator Temp Sensor FCF Platinum	X	X
35	11723905	FCFSP0081A	Air Filter FCF Platinum 20k & 25k	X	X
36	39000285	2012172A	Ambient Temp Sensor FCF Platinum	X	X
37	30510065_L80305	5012610A	Remote FCF Platinum	X	X
38	430004005	FCFSP0060A	Solenoid Reversing Valve FCF Platinum 230V	X	X