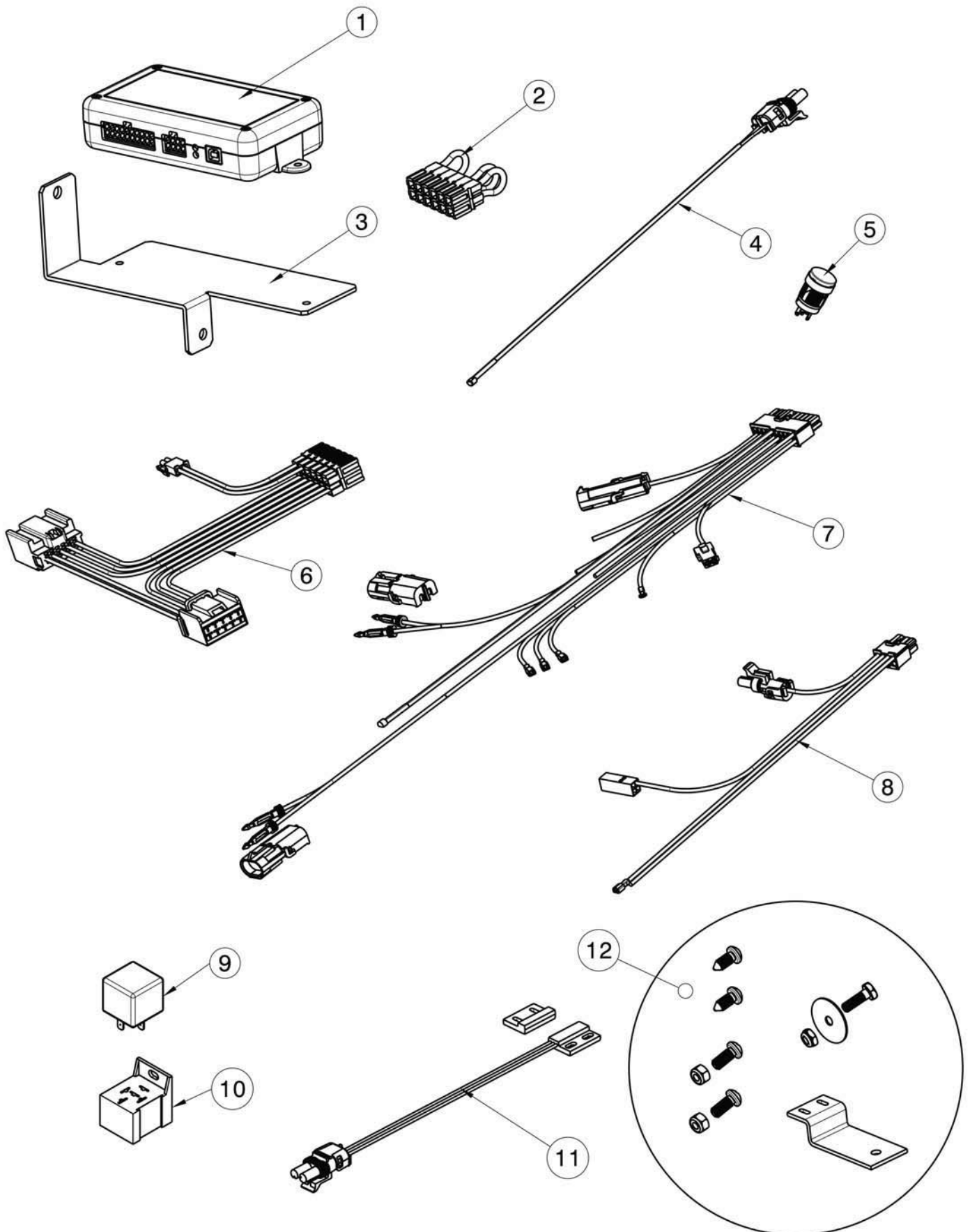




O-ZONE-TECH II™

Service Parts

Service Parts: O-Zone-Tech™



Service Parts: O-Zone-Tech II™



O-Zone-Tech II Kit Number: OZWB-00-1CVW

Webasto Kit Number: 5010293A

Item	Zone Technologie P/N	Webasto P/N	Description	Qty.
1	OZWB-00-1000	5010463A	O-Zone-Tech II Module	1
2	ASY-CBLOZTC-C1-REP	5010464A	O-Zone-Tech II Module Jumper Replacement	1
3	ZM-SUP-OZTC-ALU	5010465A	O-Zone-Tech II Module Mounting Bracket	1
4	ASY-CBL335-01	5010466A	O-Zone-Tech II External Temp Sensor	1
5	SWI-PBMOMSPDT-LEDR	5010467A	O-Zone-Tech II Keyless Mode Switch	1
6	ASY-CBLOZTC-C1-CV	5010468A	O-Zone-Tech II C1 Harness Crown Victoria	1
7	ASY-CBLOZWB-C2-CV	5010469A	O-Zone-Tech II C2 Harness Crown Victoria With Two Connector Housings	1
			Harness includes:	
			ASY-CBLOZTC-C2-CV - O-Zone-Tech II C2 Harness Crown Victoria (includes Internal temperature sensor)	1
			CON-WPF2C (Delphi Weather-Pack 2-Way Female Housing)	2
8	ASY-CBLOZWB-C3-CV	5010470A	O-Zone-Tech II C3 Harness Crown Victoria	1
9	RLY-60A14DCSD28-1C	5010471A	Relay 40/60A With Diode	1
10	VCF4-1002	5010472A	Relay Socket	1
11	ASY-SWIHS	5010473A	O-Zone-Tech II Hood Switch Kit	1
			Kit includes:	
			SWI-OZTC-HS (Hood Switch Sensor With Connector)	1
			SWI-MAGNET57135-PM (Hood Switch Magnet)	1
12	ASY-KITVIS-HSCV	5010474A	Hood Switch Hardware Kit Crown Victoria	1
			Kit includes:	
			ZM-SUP-OZTC-HS (Bracket)	1
			VIS25-658-067 (FLAT WASHER STAINLESS 1/4", 1" 1/4)	1
			VIS25-HN-2037 (Hex lock nut, 1/4-20, Stainless HN-2037)	1
			VIS25- (Hex Screw, 1/4-20 x 3/4, Stainless)	1
			VIS04-91772A110 (Phillips screw, #4-40x1/2", Stainless)	2
			VIS04-92470A110 (Phillips screw, self tap, #4x1/2", Stainless)	2
			VIS04 -91831A005 (Hex Nylon-insert locknut #4-40, Stainless, 1/4"x9/64")	2