

# VISION FLEX

Glass Roof Hatch

**Webasto**

*Feel the drive*

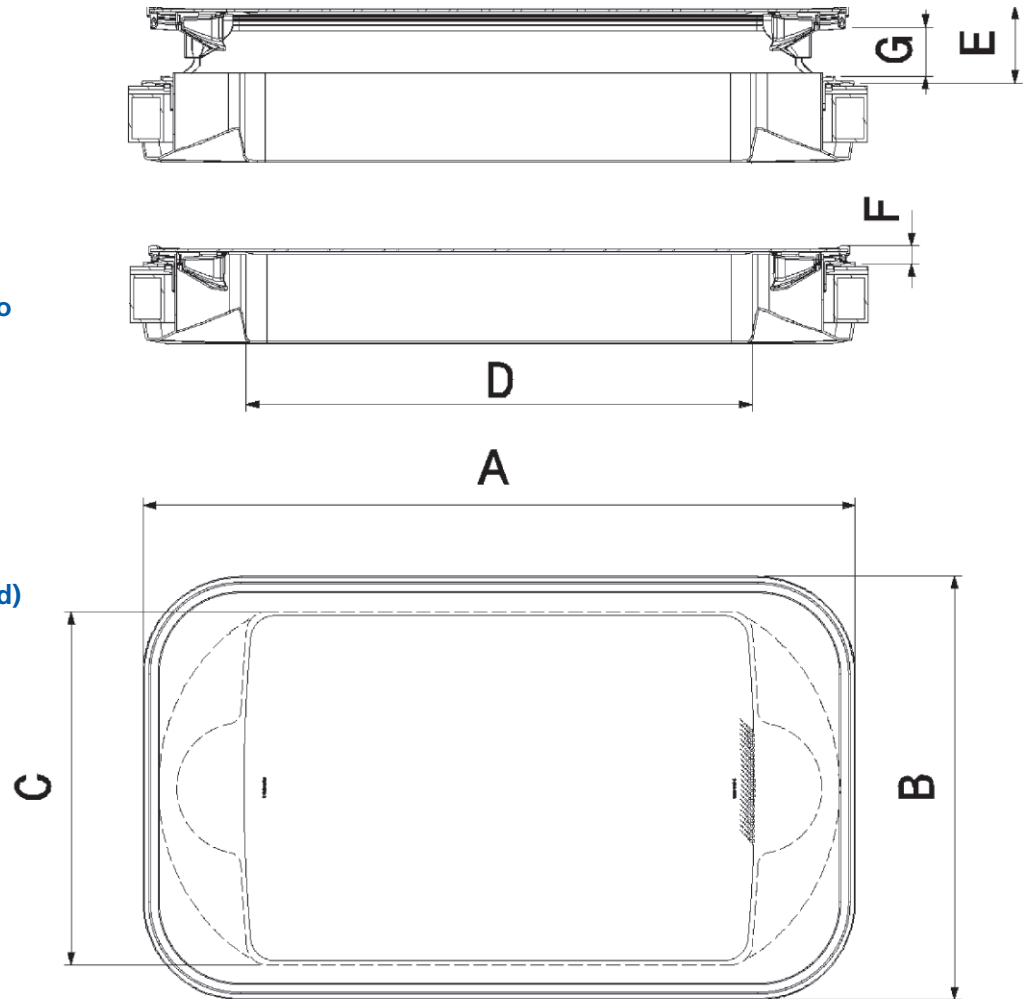


VISION FLEX is a glass hatch that allows the customer to think more flexible, and has several advantages over the existing hatches on the market. Standard mounting procedure helps the manufacturer in mounting. The curved glass panel is made of tempered glass and is vibration free preventing annoying noise in bad road conditions. The glass has a dense imprint to filter away major parts of the direct sun, leaving the spacious feeling of a Glass Hatch.

The hatch is equipped with internal and external emergency handles, and is available as manual or electric. The multi-purpose bondable plastic outer frame allows the usage of the standard manual DSA mechanism (Dual Shock Absorption dead-point) or the standard electric mechanism, which can be operated with the standard ERC interface (1 switch/ hatch), or with the RHC system where up to four hatches can be operated with one single user interface.

## Features and Benefits:

- 2001/85EC Emergency Exit
- Air Ventilation
- No break-hammer needed
- Two internal and two external emergency exit handles
- Glass Dome with screen print to filter out direct sun rays
- Anti-vibration Glass
- Outer frame injection molded stiff ABS
- Simple and swift mounting by gluing (no disassembly required)
- Available with RAL 7011 or RAL 7042 inner frame
- Available in manual or electric versions



## Dimensions:

		A	B	C	D	E	F	G
VISION FLEX	Dimension of Roof Opening	Length of Hatch	Width of Hatch	Inner Width	Inner Length	Height (open)	Height (closed)	Opening
		20.21 in x 38.19 in	40.75 in	24.21 in	20.16 in	28.66 in	4.41 in	0.98 in

