

Category: Jeep Accessories



Document Number: 5012004B

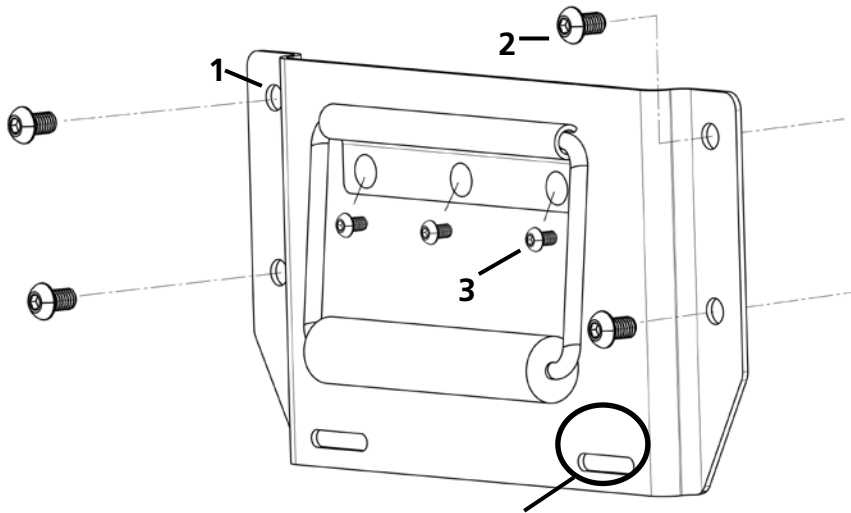
Date: 2/21/2017 Rev: 08/2018

Description: **Fridge / Freezer (FF31)**



WARNING: Cancer and Reproductive Harm
www.P65Warnings.ca.gov

Handle Installation



Openings are designed for securing Fridge / Freezer to optional slide assembly.

Kits Contents

Item No.	Part Description	Quantity
1	Plate and handle assembly	1
2	Handle Plate Retaining Bolt (M6 x 10mm) 4mm hex drive	4
3	Handle Retaining Screw (M5 x 8mm) 3mm hex drive	3

Tools

Tool Description
<ul style="list-style-type: none"> • Hex socket – 3mm • Hex socket – 4mm • Torque wrench

Installation

Using the 3 - M5 x 8mm screws, mount the handle mechanism to the handle plate. Locate and remove bolt hole caps on each side of the FF31 Fridge / Freezer. Using the supplied 4 - M6 x 10mm bolts, secure the handle assembly to the fridge / freezer by tightening each of the mounting bolts to 30 in/lbs. (3 Nm) +/- 5 in/lbs.

If you have any questions, contact our technical support team at (800) 860-7866 or via email at: info-us@webasto.com.