

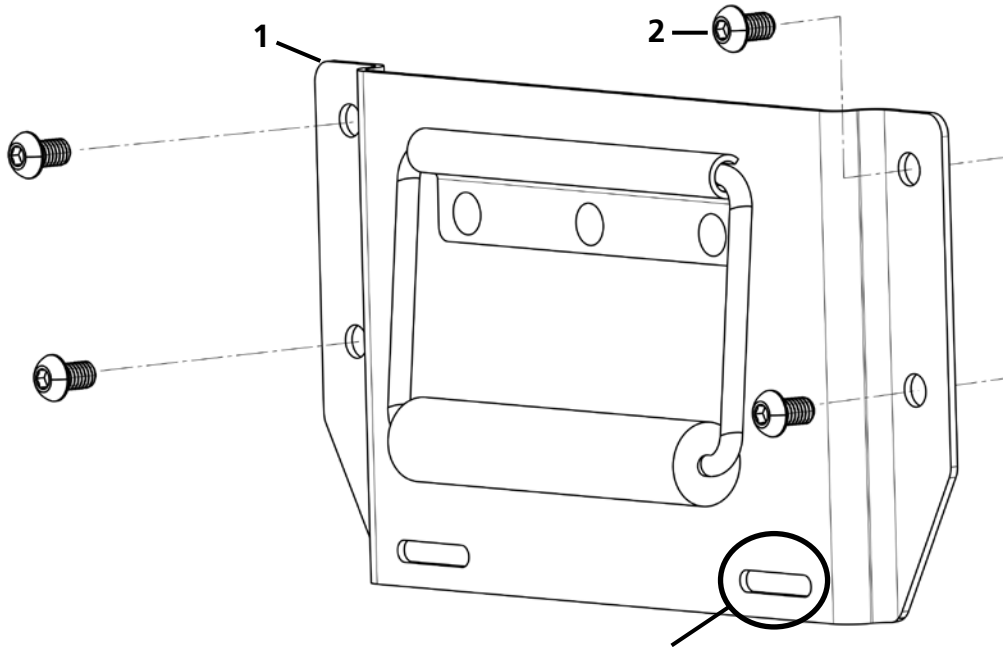
Category: Jeep Accessories



Document Number: 5012260A

Date: 2/21/2017

Description: **Fridge / Freezer (FF31) Handle Installation**



Openings are designed for securing Fridge / Freezer to slide assembly using the supplied tie straps.

Kits Contents

Item No.	Part Description	Quantity
1	Plate and handle assembly	1
2	Retaining Bolt (M6-1 x 10mm) 4mm hex drive	4

Tools

Tool Description
<ul style="list-style-type: none"> • Hex Socket – 4mm • Torque wrench

Installation

Locate and remove bolt hole caps on each side of the FF31 Fridge / Freezer. Secure handle assembly to fridge / freezer by tightening each of the 4mm hex retaining bolts to 30 in/lbs. (3 Nm) +/- 5 in/lbs.

If you have any questions, contact our technical support team at (800) 860-7866 or via email at: info-us@webasto.com.