

Category: Jeep Accessories



Document Number: 5012566B

Date: 6/22/2017 Rev: 08/2018

Description: **Baseplate, Cargo Surround Jack Relocation Instructions**

Application: **2 and 4 Door Jeep (JK) | 2007 - 2017**





WARNING: Cancer and Reproductive Harm
www.P65Warnings.ca.gov





Overview

When installing a Black Forest Baseplate and / or Cargo Security Surround Storage System it is necessary to relocate the factory jack assembly located in the rear storage compartment to ensure ease of access during an emergency situation. Follow the instructions below to install the optional Black Forest jack relocation bracket.


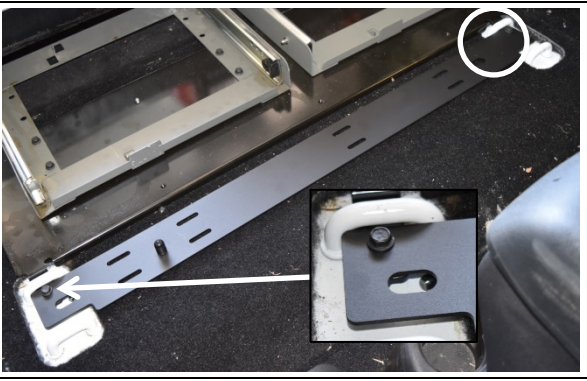
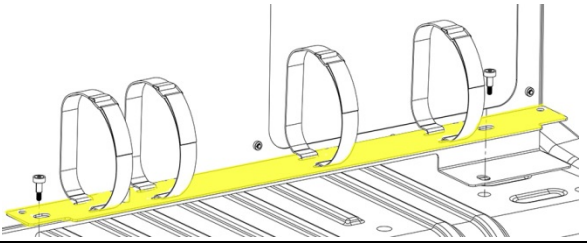

Kit Contents


Image	Description	Quantity
	Jack Mounting Bracket	1
	Velcro Retaining Straps	4

Tools Required

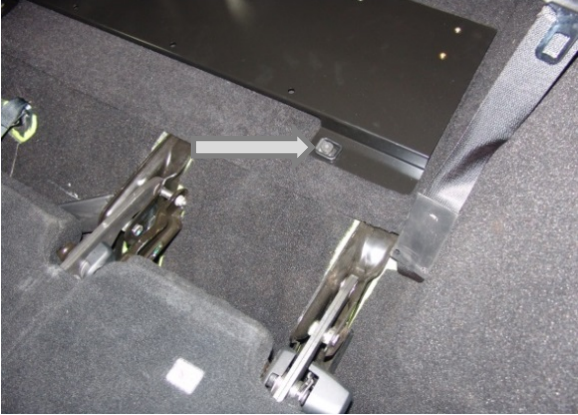
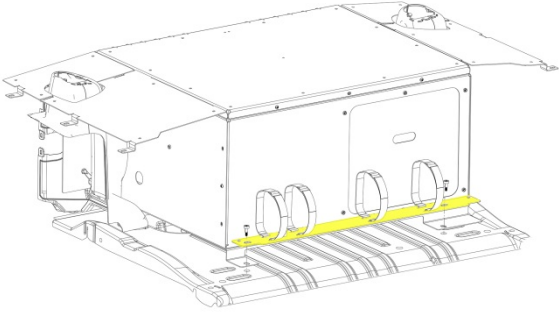
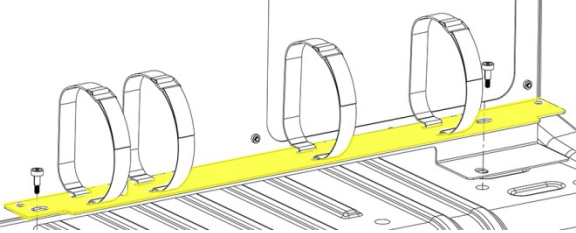
Image	Tool
	✓ Ratchet
	✓ T-30 Torx Bit - (Also included in optional Jeep Tool Kit)
	✓ 10mm socket
	✓ Torque wrench



Installation – 2 Door Jeep

1.		Remove the forward most Baseplate retainer bolts; 1 per side.
2.		Align jack relocation bracket over the Baseplates forward most mounting holes and re-secure with previously the removed Baseplate hardware. Torque to 4 ft. / lbs. 2- 10mm bolts and rubber caps
3.		Install the four supplied Velcro straps as shown.
4.		Using the two driver side Velcro straps; secure jack assembly into place as shown.

		<p>The two passenger side straps are for miscellaneous use. For demonstration purposes an AEV Jack Base is shown for lifted vehicles.</p>
--	---	---

Installation – 4 Door Jeep

<p>5.</p>		<p>Remove the forward most Baseplate retainer bolts. 1 per side.</p> <p>2 – T-30 Torx head bolts</p>
<p>6.</p>		<p>Align jack relocation bracket over the Baseplate forward most mounting holes and re-secure with O.E. hardware. Torque to 6 ft. lbs.</p> <p>2 – T-30 Torx head bolts</p>
<p>7.</p>		<p>Install the four supplied Velcro straps as shown.</p>

8.		Using the two driver side Velcro straps secure jack assembly into place as shown.
9.		The two passenger side straps are for miscellaneous use. For demonstration purposes an AEV Jack Base is shown for lifted vehicles.

Any questions, contact our technical support team at (800) 860-7866 or via email at: info-us@webasto.com.